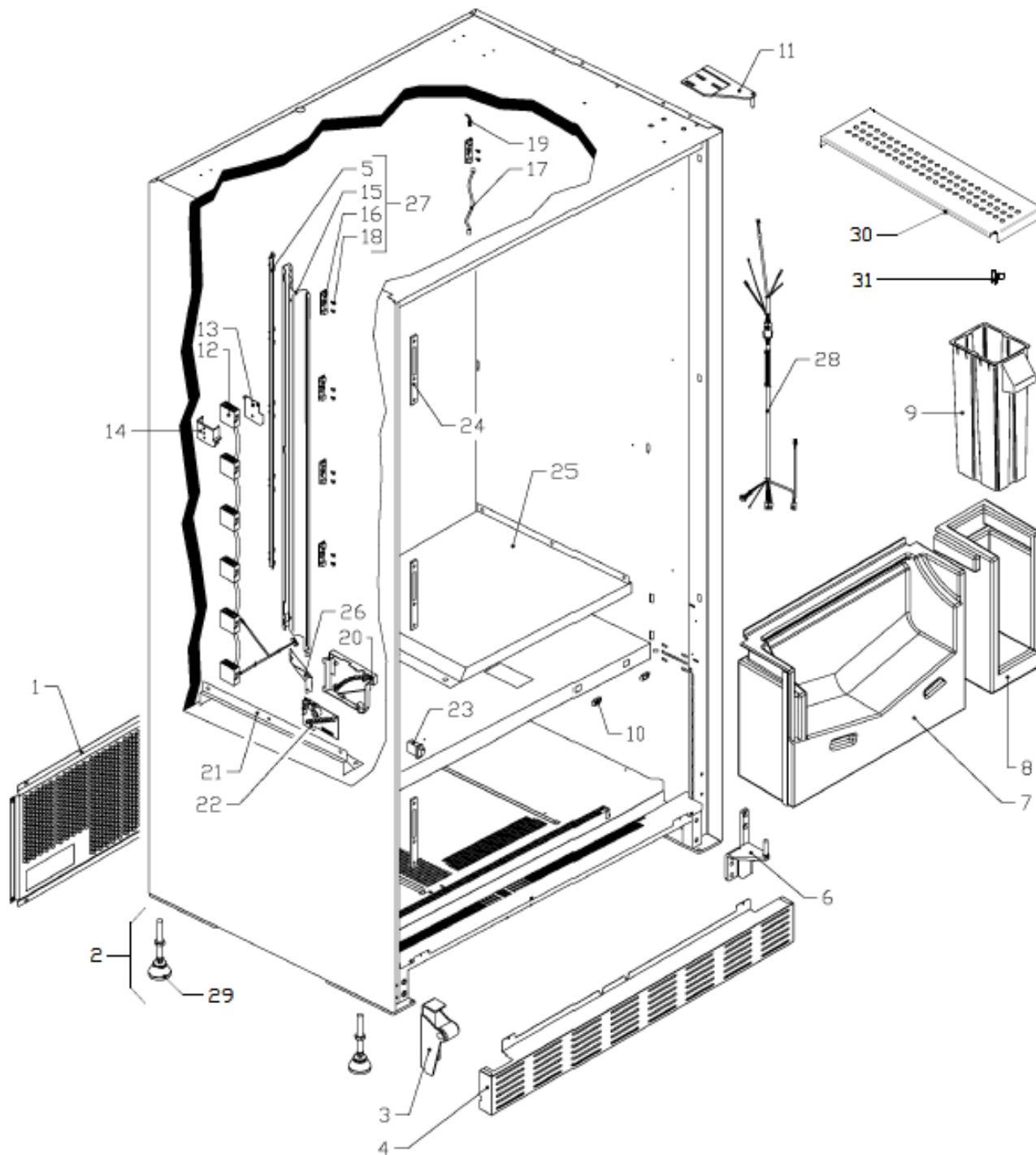


FAST DG 900 EASY CLICK

1. **981951-CASSONE - CAJÓN**
2. **981951-CASSETTO - BANDEJA**
3. **981951-PORTA - PUERTA**
4. **981951-PANNELLO_ELETTRICO - PANEL ELECTRICO**
5. **981951-GRUPPO_FRIGO - GRUPO FRIO**
6. **981951-MONTAGGIO_SPONDA - SIDE PANEL**
7. **981951-BOX GETTONIERA - CAJA MONEDERO**
8. **981951-ACCESSORI_CASSETTO - ACCESORIOS BANDEJA**
9. **981951-ACCESSORI - ACCESORIOS**

981951-CASSONE - CAJÓN

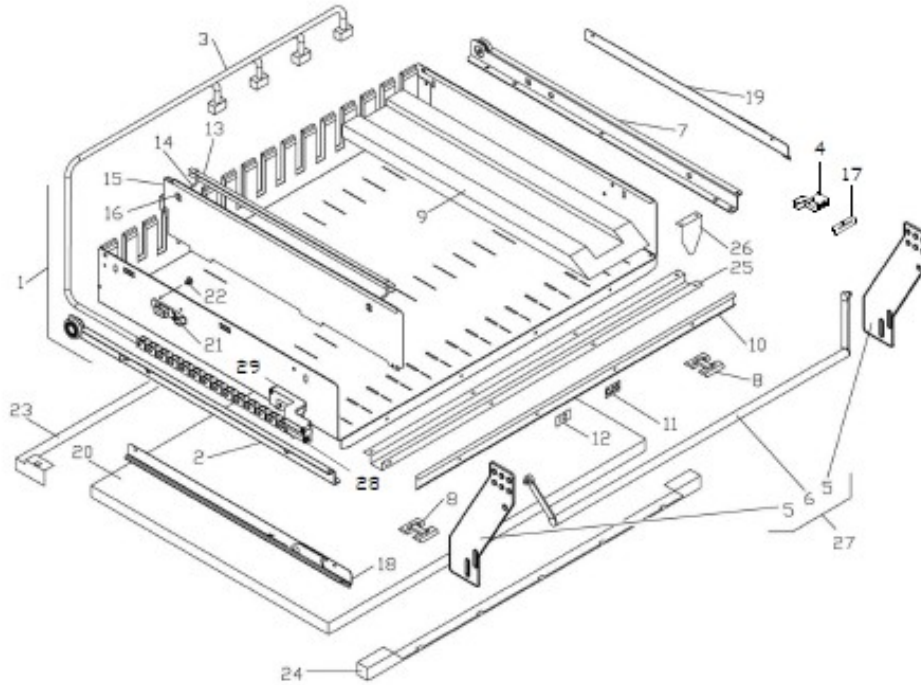


PARTS LIST

Pos.	Code	Description	Suggested	Price
0001	621590	REAR GRID		
0002	820437	COMPLETE FOOT WITH ANTISLIP BASE		
0003	720488	DOOR SLIDEBRACKET		
0004	855419	LEG COVER 900 RAL7021		
0005	621487	LED HOLDER ROD		
0006	201124	SCTREW M6X20 GALV. UNI5933		
0006	720544NN	DOOR ANTITHEFT LOWER HINGE		
0007	826521	PRODUCT DELIVERY POCKET M		
0008	400942	COIN BOX HOLDER		
0008	750049	COIN BOX HOLDER		
0009	401150	PLASTIC COIN BOX		
0010	210059	RECEPTACLE		
0011	720545NN	DOOR UPPER HINGE		
0012	310419	LEFT SIDE HARNESS		
0013	401140	COVER FOR FEMALE CONNECTOR HOLDER		
0014	401139	FEMALE CONNECTOR HOLDER		
0015	621486	LED LEFT COVER		
0016	082782	BOARD WITH LED ASSEMBLY	✓	
0017	310383	LED BAR CONNECTION LOOM		
0018	210289	PLASTIC RIVET RICHCO SR-3045-B RMS-52		
0019	310384	BOND FOR LED BOARDS		
0020	401131	PHOTOCELLS COVER		
0021	621837	DELIVERY SIDE CONVEYOR EASY CLICK		
0022	082645	REFLECTION PHOTOCELL BOARD		
0023	310047	NO MICROSWITCH ARCOLECTRIC C3006CB-FUSIT	✓	
0024	621555ZI	EXTERNAL LOCK BLADE		

Pos.	Code	Description	Suggested	Price
0025	621839	SUCTION CONVEYOR EASY CLICK		
0026	621488	LED LOWER LEFT COVER		
0027	820414	LEFT SUPPORT + LED ASSEMBLY		
0028	310436	DOOR HARNESS		
0029	400908	BASE ANTISLIPPING FOOT		
0030	401236	PRODUCTS SHELF		

981951-CASSETTO - BANDEJA

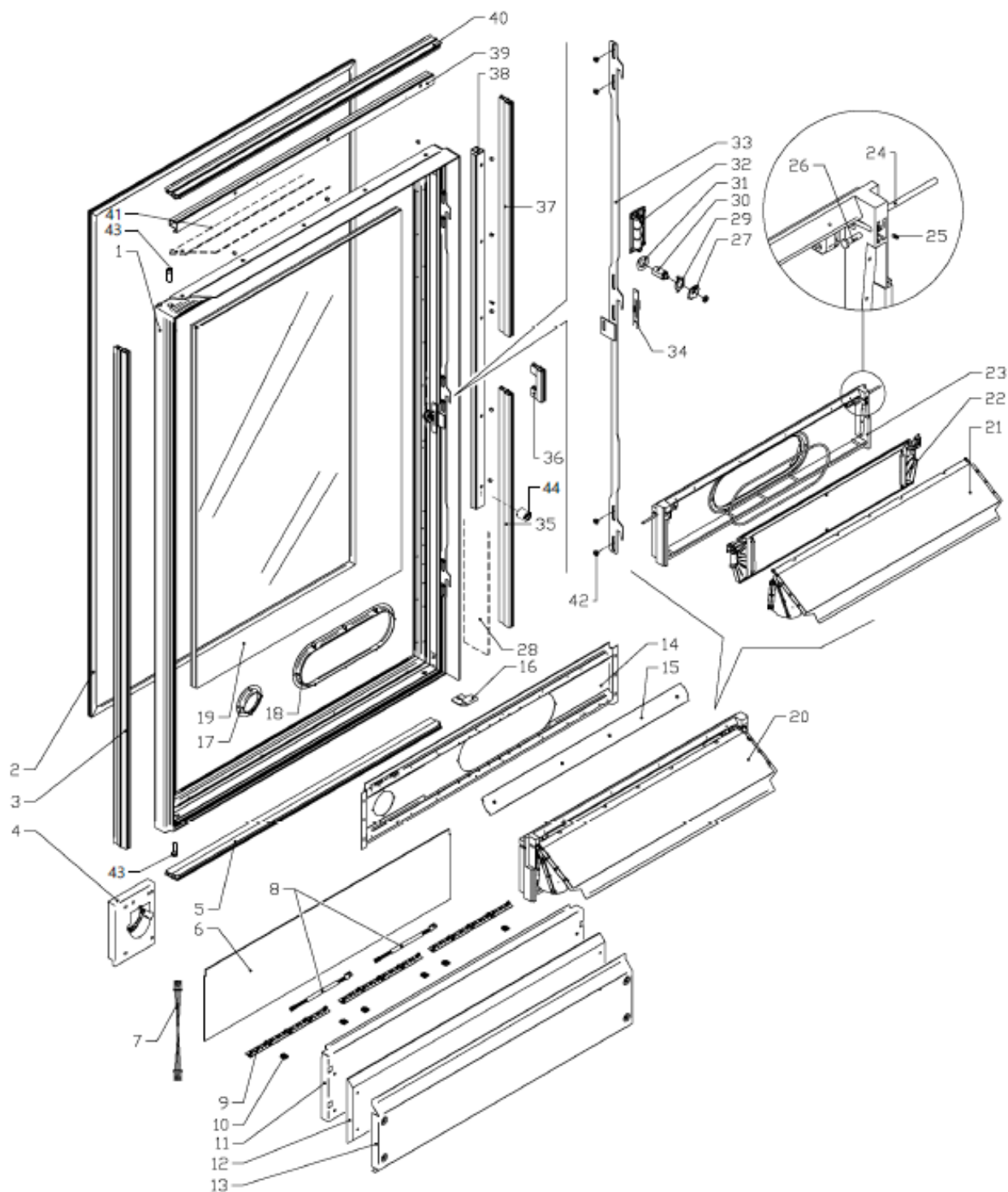


PARTS LIST

Pos.	Code	Description	Suggested	Price
0001	801025	SHELF (M) ASSEMBLY		
0001	801028	TRAY ASSEMBLY (M) FOR TELESCOPIC SLID		
0002	830143NN	LEFT SLIDING GUIDE		
0004	750223	EASY CLICK SHELF LOCK ASSEMBLY		
0005	631383	BRACKET FOR BOTTLES/CANS DISPENSING BAR		
0006	750043	BOTTLE DISPENSING BAR (M)		
0007	830142NN	RIGHT SLIDING GUIDE		
0008, 0008	630481	TRAY STOPPING SPRING		
0009	400838	SPIRAL SUPPORT BLACK		
0010	400722	PRICE LABEL HOLDER L.593		
0011	220064	PRICES SILKSCREEN BOTH SIDES		
0011	220841	PRICE LABELS SHEET EUR/POUNDS		
0011	220165	PRICE LABELS SHEET		
0011	220201	NUMBER LABELS (2-3-4-5)		
0012	220157	SELECTION INDICATOR PANEL (11-70)		
0013	400594	ADJUSTABLE SIDE PLATE-BLACK L=398		
0014	211002	PIN FOR SPRING ADJUSTABLE		
0015	630779NN	DIVIDER (BLACK)		
0016	211028	SPRING FOR DIVIDER SUPPORT PIN		
0018	210251	LEFT TRAY SUPPORT TYPE CB69410		
0019	210253	RIGHT TRAY SUPPORT TYPE CB69411		
0021	401141	PEG FOR TRAY HARNESS		
0022	210287	PLASTIC RIVET RICHCO SR-4060-BK		
0025	624179	TRAY REINFORCED SUPPORT M		
0026	401063	CANS DEFLECTOR		

Pos.	Code	Description	Suggested	Price
0027	850303	DISPENSING BOTTLE BAR SIZE (M)		
0028	750076	TRAY CHAIN HARNESS M	✓	
0029	401137	SHELVES HARNESS COVER		
0029	401138	CHAIN HOLDER COVER		

981951-PORTA - PUERTA

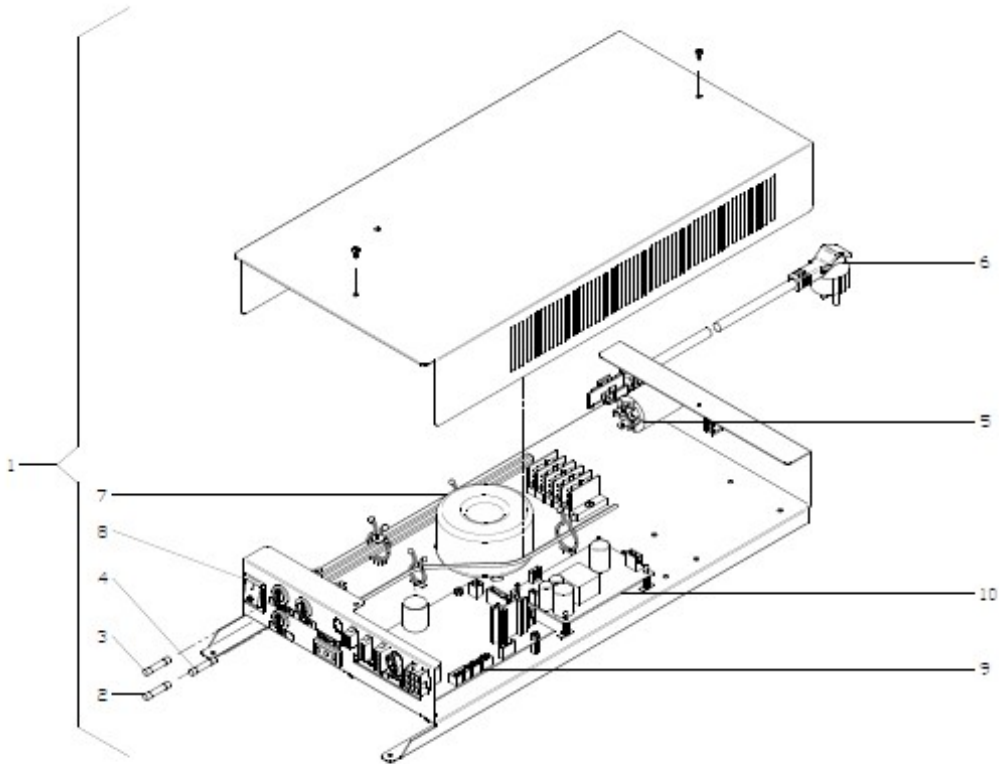


PARTS LIST

Pos.	Code	Description	Suggested	Price
0001	826644	DOOR FRAME WITH HANDLE FAST 900 ASS.		
0002	221053	MAGNETIC GASKET 1638X838 I.M.11,6X3		
0003	400867	LEFT GASKET PROFILE (L=1620)		
0004	400928	COIN RETURN SUPPORT		
0006	401264	LEXAN SERIGRAF. PORTA FASTER UP 900 N.E.		
0011	726439	BOTTOM LED HOLDER		
0012	401214	DOOR LOWER INSULATING PANEL		
0013	627183	LOWER COVER FOR INSULATING PANEL		
0014	726280NN	DOOR HORIZONTAL BLACK ROD 900		
0015	627720NN	UNIVERSAL PROD. BAFFLE PLATE NN L=610		
0016	631085	DOOR WHEEL RAISER		
0017	400844	CHANGE GIVER FRAME RAL7021		
0018	400857	DELIVERY DOOR FRAME RAL7021		
0019	420067	INSUL. GLASS 1176X626X22 3+3/12/4 BE AR.		
0020	826669	DELIVERY DOOR ASSEMBLY 900/750		
0021	726403	ANTI THEFT BLADE REINF. 900/750	✓	
0022	826486	DELIVERY DOOR 750/900		
0023	400926	DELIVERY DOOR SUPPORT 900/750FV		
0024	700506	HATCH ROTATION PIN		
0025	201139	INOX DOWEL M3X6 UNI5923		
0026	700502	ROTATION THREADED PIN		
0027	624672	120° LOCK FRAME		
0029	627725	ANTIROTATION LOCK INCREASED		
0030	210363	BLOCK LOCK RIELDA MOD. 511 RS1+KEY	✓	
0031	700505	LOCK PROTECTION WASHER		

Pos.	Code	Description	Suggested	Price
0032	401134	DOOR HANDLE		
0033	726499	DOOR CLOSING ANTI-THEFT BAR		
0034	726286ZI	120° LOCK RACK		
0036	401104	RIGHT GASKET HOLDER		
0037, 0035	400841	LOWER RIGHT GASKET PROFILE (L=760)		
0038	401101	RIGHT GLASS HOLDER		
0039	401105	UPPER GLASS STOP 900		
0040, 0005	400869	HORIZONTAL GASKET PROFILE (L=848)		
0042	700434	BUSH FOR CLOSING ROD SLIDING		
0043	700435	BUSH FOR DOOR ROTATION		
0044	400961	PVC SOFT FOOT TH. 18 EXT.D. 18,5		

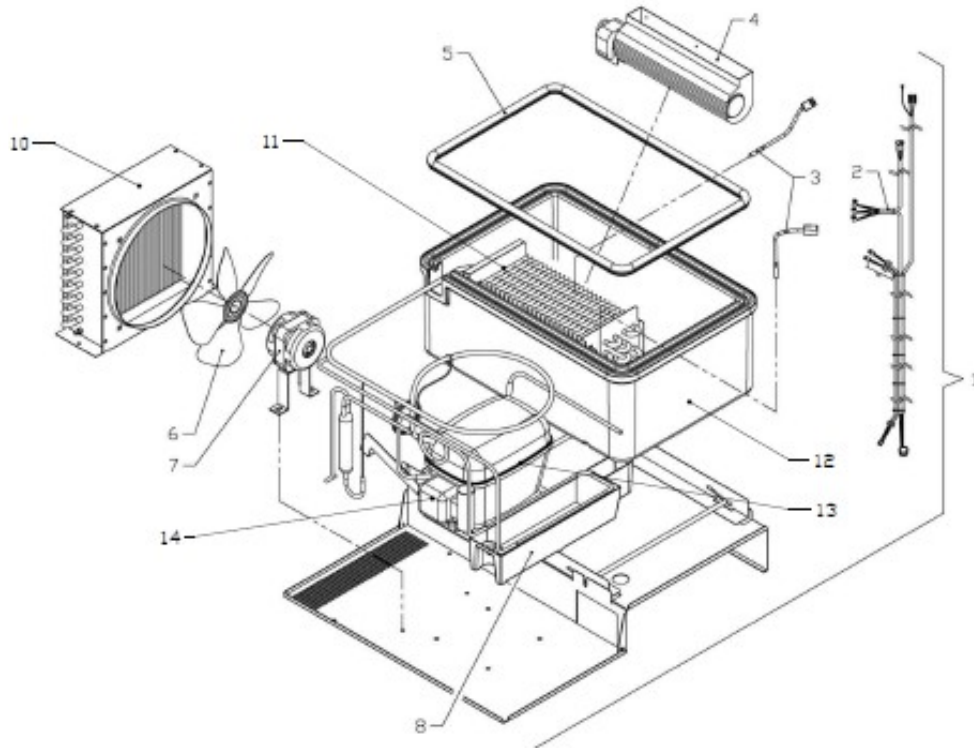
981951-PANNELLO_ELETTRICO - PANEL ELETTRICO



PARTS LIST

Pos.	Code	Description	Suggested	Price
0001	845311	ELECTRICAL PANEL FAST/FAST TM ASSEMBLY		
0002	300425	DELAYED 6,3X32 16 A FUSE	✓	
0003	300410	WEBER 6X30 3,15 A FUSE	✓	
0004	300415	WEBER 6,3X32 6,3 A FUSE	✓	
0005	C300066	NET FILTER	✓	
0006	300133	STANDARD POWER SUPPLY LOOM		
0007	310183	TRANSFORMER 150VA 0-230V 50/60HZ TOROID.	✓	
0008	310439	BIPOLAR SWITCH 16A 250V		
0009	082636	CHAIN BOARD (POWER)	✓	
0010	082785	POWER SUPPLY BOARD FOR POWER-LED	✓	

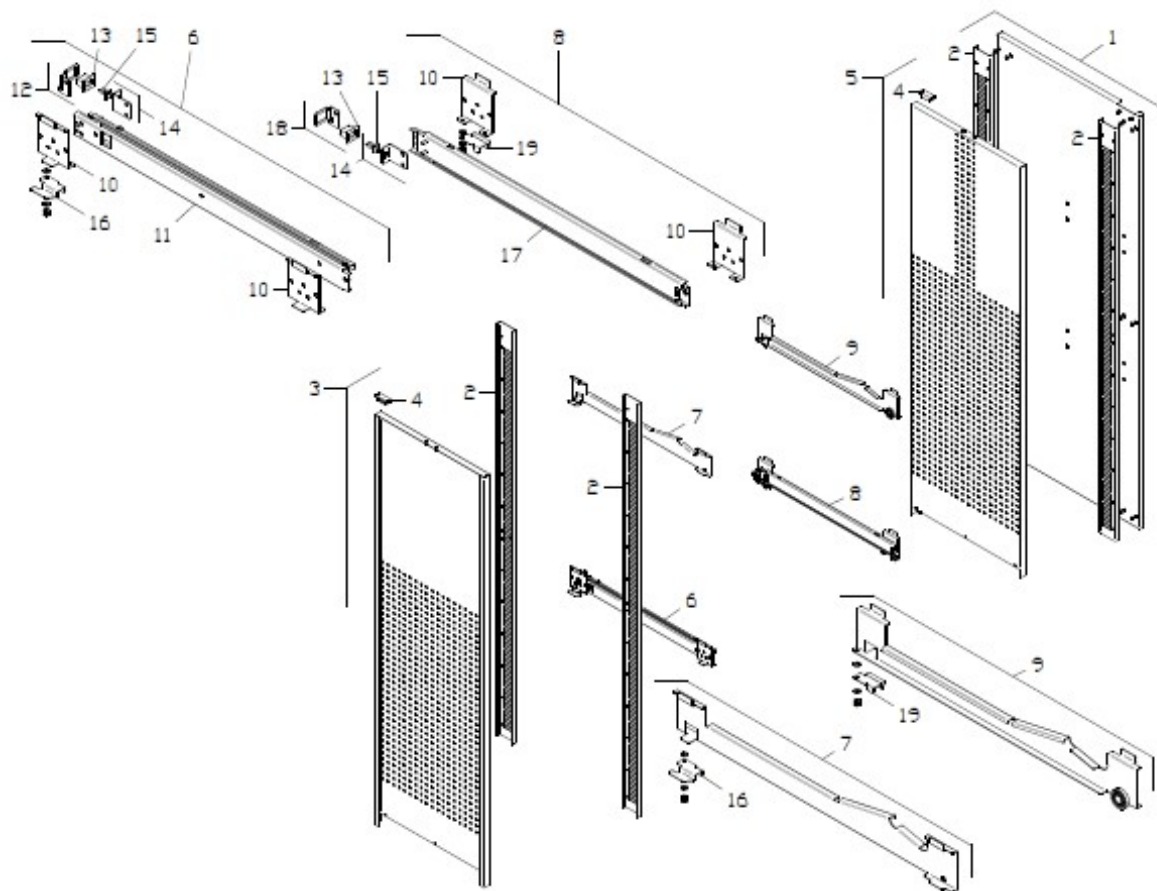
981951-GRUPPO_FRIGO - GRUPO FRIO



PARTS LIST

Pos.	Code	Description	Suggested	Price
0001	840222	REFRIGERATION UNIT	✓	
0002	310323	TANGENTIAL FAN HARNESS		
0003	310455	TEMPERATURE PROBE	✓	
0004	410109	TANG.TGA 60/1 300/30 V230 50/60HZ 180°	✓	
0005	221112	EVAPORATOR BOX GASKET L=1570		
0006	410371	230MM FAN		
0007	410106	MOTORFAN WITH THERMAL PROTECTION	✓	
0008	400840	CONDENSATE DRAIN PAN		
0010	410053	CONDENSATOR 1022 20T 250X240X43,3		
0011	410094	EVAPORATOR 1T		
0012	740092	PLYSTYRENE EVAPORATOR BOX ASSEMBLIY		
0013	410124	EMBRACO COMPRESSOR NEK6187Z		
0014	310487	STARTER RELAY EMBRACO		
0014	310488	PICKUP CAPACITOR EMBRACO 59μF 330V		

981951-MONTAGGIO_SPONDA - SIDE PANEL

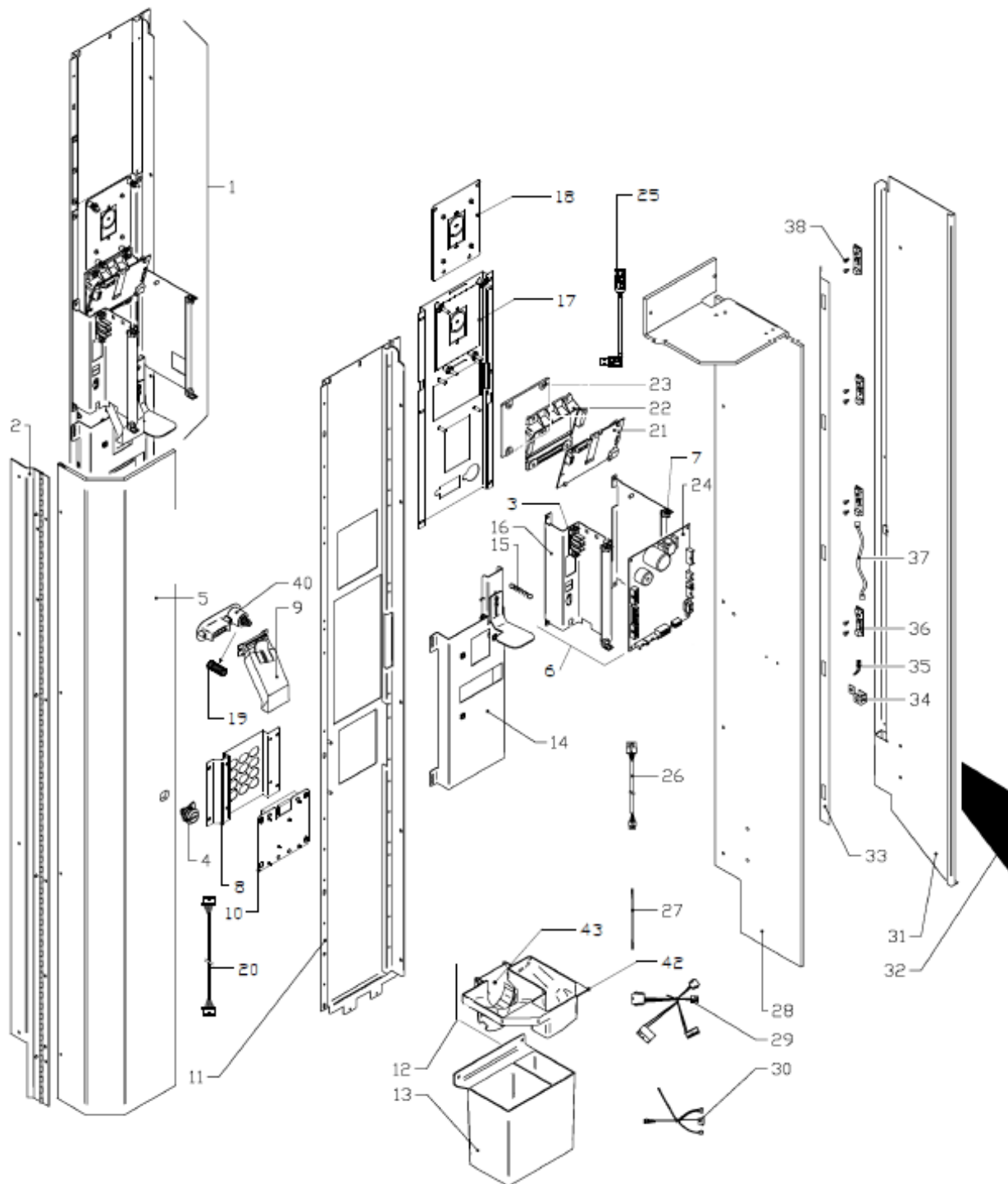


PARTS LIST

Pos.	Code	Description	Suggested	Price
0001	820591	RIGHT UPRIGHT SIDE PANEL HOLDER EASY CL.		
0002	621834	EASY CLICK GUIDES UPRIGHT		
0003	820600	LEFT SIDE PANEL FAST/FASTER 3T/A EASY CL		
0003	820596	LEFT SIDE PANEL FAST/FASTER 1T EASY CL.		
0003	820589	LEFT SIDE PANEL FAST/FASTER 2T EASY CL.		
0003	820598	LEFT SIDE PANEL FAST/FASTER 3T EASY CL.		
0004, 0004	15100041A	MAGNETIC BLACK CLOSING		
0005	820590	RIGHT SIDE PANEL FAST/FASTER 2T EASY CL.		
0005	820599	RIGHT SIDE PANEL FAST/FASTER 3T EASY CL.		
0005	820601	RIGHT SIDE PANEL FAST/FASTER 3T/A EASY C		
0005	820597	RIGHT SIDE PANEL FAST/FASTER 1T EASY CL.		
0006	820592	LEFT ACCURIDE GUIDE EASY CLICK ASS.		
0007	831016	LEFT SLANTING GUIDE+LOCK EASY CLICK		
0008	820593	RIGHT ACCURIDE GUIDE EASY CLICK ASS.		
0009	831018	RIGHT SLANTING GUIDE+LOCK EASY CLICK		
0010, 0010	621840	BRACKET FOR ACURRIDE EASY CLICK		
0011	210256	LEFT SIDE GUIDE CB7407_1007 REV.A		
0012	830518	FEMALE LOCK LEFT BRAKET		
0013, 0013	210058	FEMALE QUICK HOOK 0191 AA01 FF		
0014, 0014	830519	MALE LOCK BRAKET RIGHT/LEFT		
0015, 0015	210121	MALE FASTENER FOR 7x7 HOLE		
0016, 0016	621846	LEVER LOCK GUIDE LEFT EASY CLICK		

Pos.	Code	Description	Suggested	Price
0017	210257	RIGHT SIDE GUIDE CB7407_1007 REV.A		
0018	830515	FEMALE LOCK RIGHT BRAKET		
0019, 0019	621847	LEVER LOCK GUIDE RIGHT EASY CLICK		

981951-BOX GETTONIERA - CAJA MONEDERO

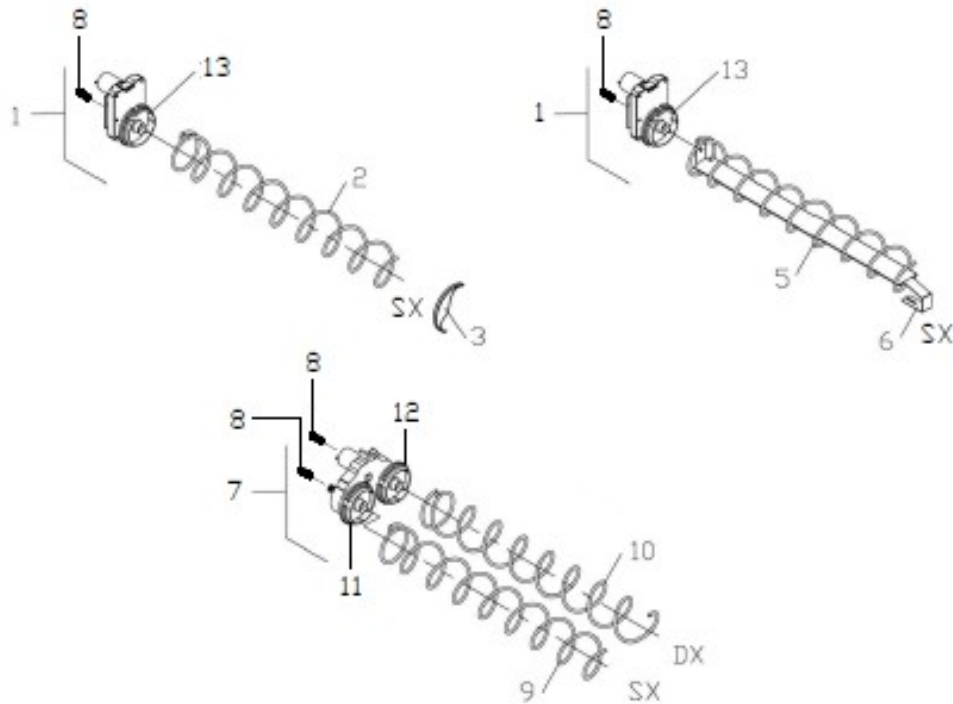


PARTS LIST

Pos.	Code	Description	Suggested	Price
0001	827095	FRONT PANEL FAST DG NN ASSEMBLY		
0002	726263	BOX DOOR SUPPORT		
0003	082720	24VOLT POWER DISTRIBUTION PCB		
0004	210320	BLOCK LOCK WITH CAM		
0005	400875	PAYMENT SYSTEMS BOX DOOR		
0006	826788	COMPLETE SKEW ELEC. BOARD SUPPORT		
0007	400862	CLIP FOR BOARD SUPPORT		
0008	627305	METAL PLATE KEYPAD COVER RAL 9005		
0009	826494	COIN CHUTE		
0010	750035	12 PUSHBUTTON NW2 TRANSP. KEYPAD		
0011	726688NN	FAST DG FRONTAL PANEL RAL 9005 ASSEMBLY		
0012	726459	CHANGE GIVER FRAME STA.		
0013	401225	COIN CONVEYOR		
0014	826528	COIN MECH SUPPORT + REJECT LEVER		
0015	211063	SPRING 0.8X9XL	✓	
0016	726479	ELECTRONIC BOARD + STUD		
0017	827101	INSERTION COINS FAST DG STD ASSEMBLY		
0018	726278NN	BILL READER CLOSING PLATE NN FAST/R		
0019	211040	COIN RECOVER BUTTON SPRING		
0020	310437	12 PUSHBUTTON KEYPAD WIRING		
0021	801053	GRAPHIC DISPLAY WITH ELECT. BOARD	✓	
0021	014570	GRAPHIC DISPLAY (LCD)		
0022	401276	SKEW DISPLAY SUPPORT		
0023	401247	GRAPHIC DISPLAY CRYSTAL		
0024	082634	LIGHT OMNIA MAINBOARD	✓	
0025	310444	USB EXTENSION CABLE TYPE A M/F L.50CM		

Pos.	Code	Description	Suggested	Price
0026	310438	LOOM FOR GRAPHIC DISPLAY CONNECTION		
0027	310310	24VOLT LOOM		
0028	400856	PAYMENT SYSTEMS BOX FRAME		
0029	C300144	RS585/+5V OMNIA SERIAL CABLE		
0030	310296	OMNIA UNIVERSO CHANGE GIVER INTERFACE		
0031	621491	DOOR LED SUPPORT		
0032	220937	PHOTOCELLS REFLECTOR LABEL		
0033	621492	DOOR LED COVER		
0034	624567	COUPLER BOX LOCK		
0035	310384	BOND FOR LED BOARDS		
0036	082782	BOARD WITH LED ASSEMBLY	✓	
0037	310383	LED BAR CONNECTION LOOM		
0038	210289	PLASTIC RIVET RICHCO SR-3045-B RMS-52		
0040	826456	MON.PULS.RENDIRESTO FASHION-FAST RAL7021		

981951-ACCESSORI_CASSETTO - ACCESORIOS BANDEJA

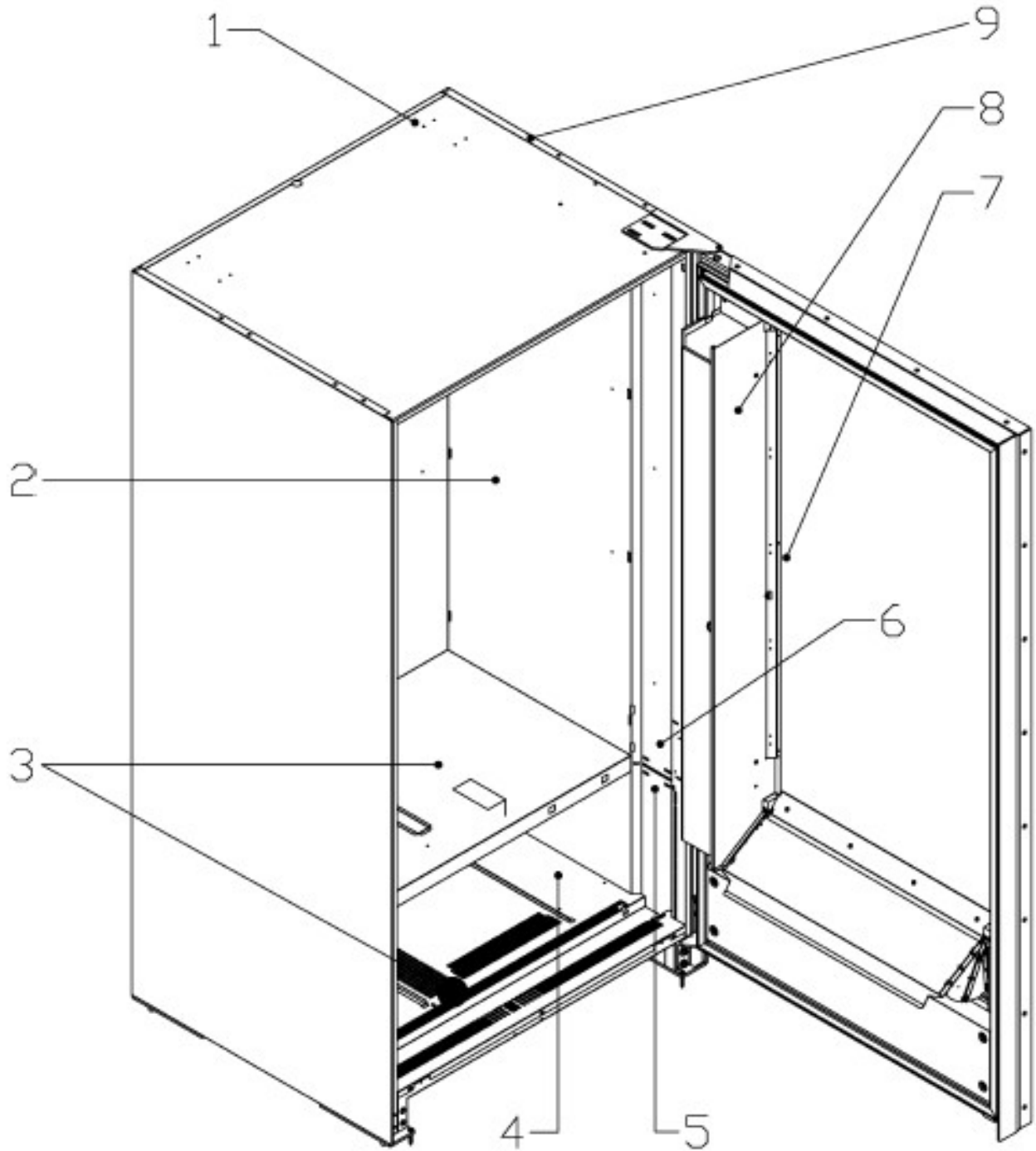


PARTS LIST

Pos.	Code	Description	Suggested	Price
0001	830420	MOTOR GROUP/BLUE HOOK	✓	
0002	211268	SPIRAL GALV. P=100 Ø=78 4 PR. LEFT		
0002	211286	SPIRAL GALV. P=35 Ø=78 12 PR. LEFT		
0002	211291	SPIRAL GALV. P=78 Ø=78 5 PR. LEFT		
0002	211290	SPIRAL GALV. P=55 Ø=78 7 PR. LEFT		
0002	211273	SPIRAL GALV. P=45 Ø=78 9 PR. LEFT		
0003	400800	BLACK SPIRAL EJECTOR		
0005	211271	SPIRAL GALV. P=80 Ø=70 5 BOT. LEFT		
0005	211272	SPIRAL GALV. P=64 Ø=66 7 PR. LEFT		
0005	211270	SPIRAL GALV. P=88 Ø=78 5 SANDW. LEFT		
0005	211269	SPIRAL GALV. P=75 Ø=70 6 BOT. LEFT		
0006	631459	BAYONET SYSTEM PRODUCT SUPPORT		
0007	830291	MOTOR GROUP FOR DOUBLE SPIRAL	✓	
0008, 0008	211009	SPRING FOR SPIRAL POSITION		
0009, 0002	211276	SPIRAL GALV. P=26 Ø=66 16 PR. LEFT		
0009, 0002	211274	SPIRAL GALV. P=20 Ø=66 21 PR. LEFT		
0009, 0002	211281	SPIRAL GALV. P=80 Ø=70 5 PR. LEFT		
0009, 0002	211277	SPIRAL GALV. P=36 Ø=66 11 PR. LEFT		
0009, 0002	211275	SPIRAL GALV. P=42 Ø=66 9 PR. LEFT		
0009, 0002	211287	SPIRAL GALV. P=64 Ø=66 6 PR. LEFT		
0009, 0002	211289	SPIRAL GALV. P=54 Ø=66 7 PR. LEFT		
0009, 0002	211285	SPIRAL GALV. P=30 Ø=66 14 PR. LEFT		
0010	211278	SPIRAL GALV. P=64 Ø=66 6 PR. RIGHT		

Pos.	Code	Description	Suggested	Price
0010	211283	SPIRAL GALV. P=26 Ø=66 16 PR. RIGHT		
0010	211288	SPIRAL GALV. P=54 Ø=66 7 PR. RIGHT		
0010	211284	SPIRAL GALV. P=30 Ø=66 14 PR. RIGHT		
0010	211282	SPIRAL GALV. P=20 Ø=66 21 PR. RIGHT		
0010	211292	SPIRAL GALV. P=80 Ø=70 5 PR. RIGHT		
0010	211279	SPIRAL GALV. P=36 Ø=66 11 PR. RIGHT		
0010	211280	SPIRAL GALV. P=42 Ø=66 9 PR. RIGHT		
0011	400127	BLACK SPIRAL HOOK		
0012	400138	SPRING HOLDER COUPLER (SPIRAL RIGHT)		
0013	400625	HOOK FOR SPIRAL HOLDER BLUE		

981951-ACCESSORI - ACCESORIOS



PARTS LIST

Pos.	Code	Description	Suggested	Price
0001	855394	WALL FIXING BRACKETS		
0002	855513	KIT PUSHER SHELF 900 EASY CLICK		
0003	855459	KIT 1 x SHELF DISPLAY BAR 900		
0004	855458	KIT SHELVES DISPLAY POWER BOARD		
0004	826724	OVERSIZED PRODUCT DELIVERY POCKET 900		
0005	855550	KIT COINS BOX COVER		
0008	855440	USB FLASH KEY/KEY PROGRAMMER		
0008	855451	KIT MECH. COUNTER WIN./FASTER/YOUNG TMT		
0008	855376	KIT RS232/RS485/DEX-UCS INTERFACE		
0008	855136	KIT EVA DTS IRDA		
0008	855436	KIT MASTER/SLAVE EXECUTIVE OMNIA		
0008	082950	FLASH KEY (PROGRAMMING KEY)		
0009	855395	KIT ABRAZADERAS DE FIJACION MAQUINAS		