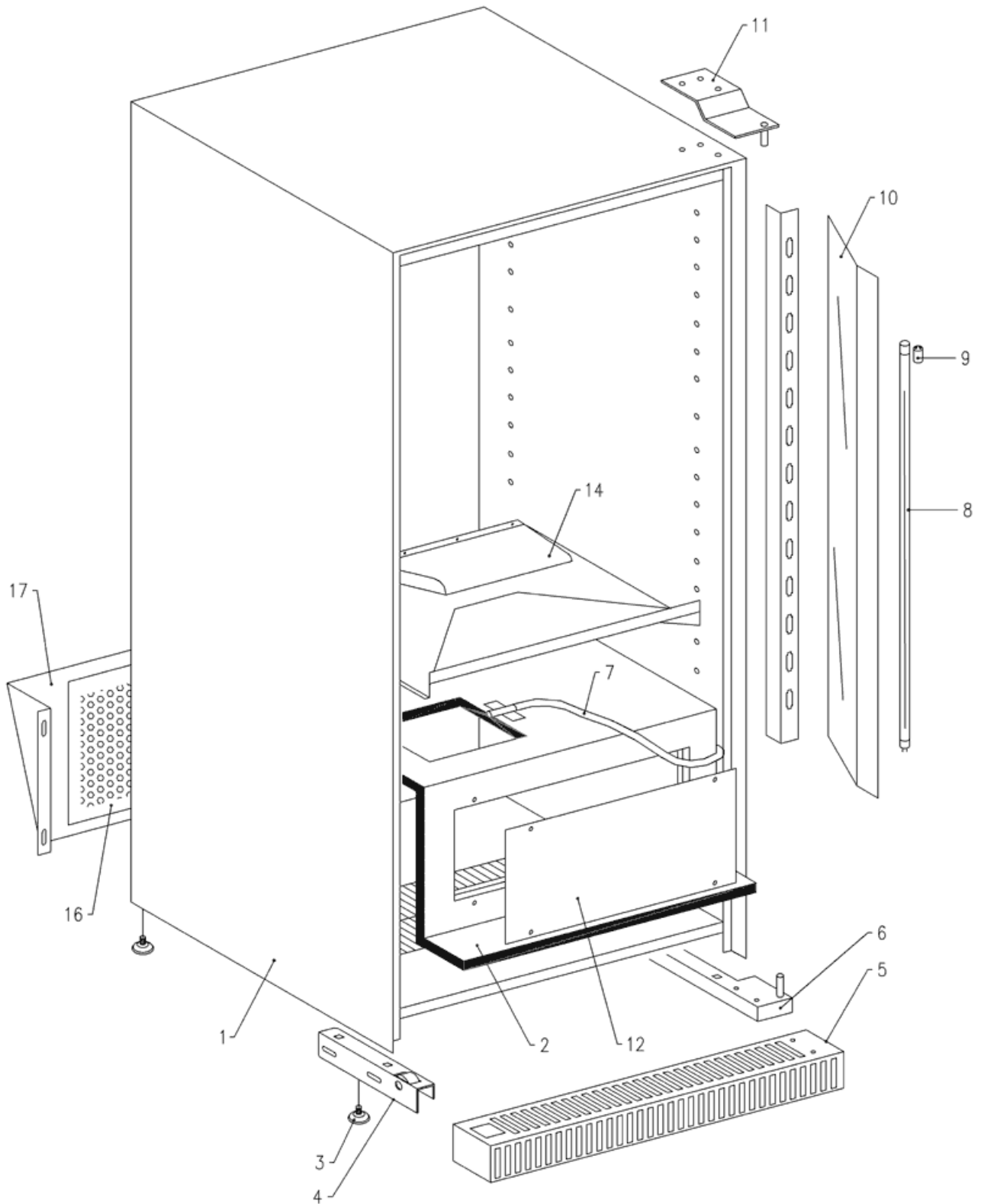


- 1. YOUNG160-CASSONE - CAJÓN**
- 2. YOUNG160-CASSETTO - BANDEJA**
- 3. YOUNG160-PORTA_SPORTELLO_PRELIEVO - PUERTA (PORTEZUELA RECOGIDA)**
- 4. YOUNG160-PORTA - PUERTA**
- 5. YOUNG160-PORTA_BOX_GETTONIERA - PUERTA (CAJA MONEDERO)**
- 6. YOUNG160-PANNELLO_ELETTRICO - PANEL ELECTRICO**
- 7. YOUNG160-GRUPPO_FRIGO - GRUPO FRIO**
- 8. YOUNG160-SOSTEGNO_CASSETTI - APOYO CAJONES**
- 9. YOUNG160-ACCESSORI_CASSETTO - ACCESORIOS BANDEJA**

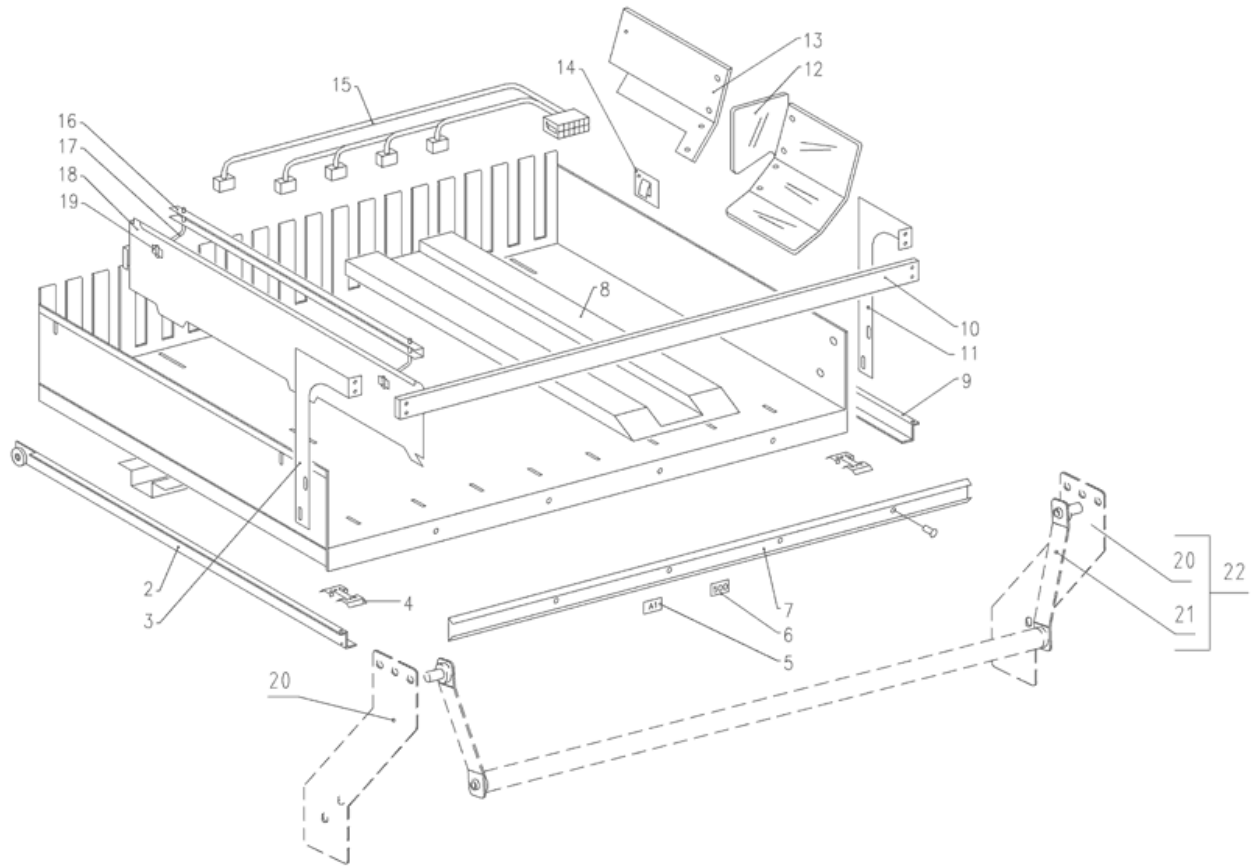
YOUNG160-CASSONE - CAJÓN



PARTS LIST

Pos.	Code	Description	Suggested	Price
0002	720363	ASS.ZETA ROTAZIONALE YOUNG 160/183		
0003	400552	PIEDINO SNODATO ANTISCIVOLO FAS		
0006	720055ZI	ASS.CERNIERA INF.PORTA SPI/YOUNG ZINC.		
0007	310455	TEMPERATURE PROBE	✓	
0008	300355	TUBO NEON SYLVANIA 36W/154 DAYLIGHT		
0009	300315	STARTER SIVI 155.500		
0011	720513HB	ASS.CERNIERA SUPERIORE PORTA YOUNG		
0012	624333	STAFFA PER TAPPO Z YOUNG 160/183		
0014	400806	CONVOGLIATORE ARIA YOUNG 160/183 TERMOF.		
0017	855192	MONT.CONV.ARIA POST.MEDIO TERMOF.		

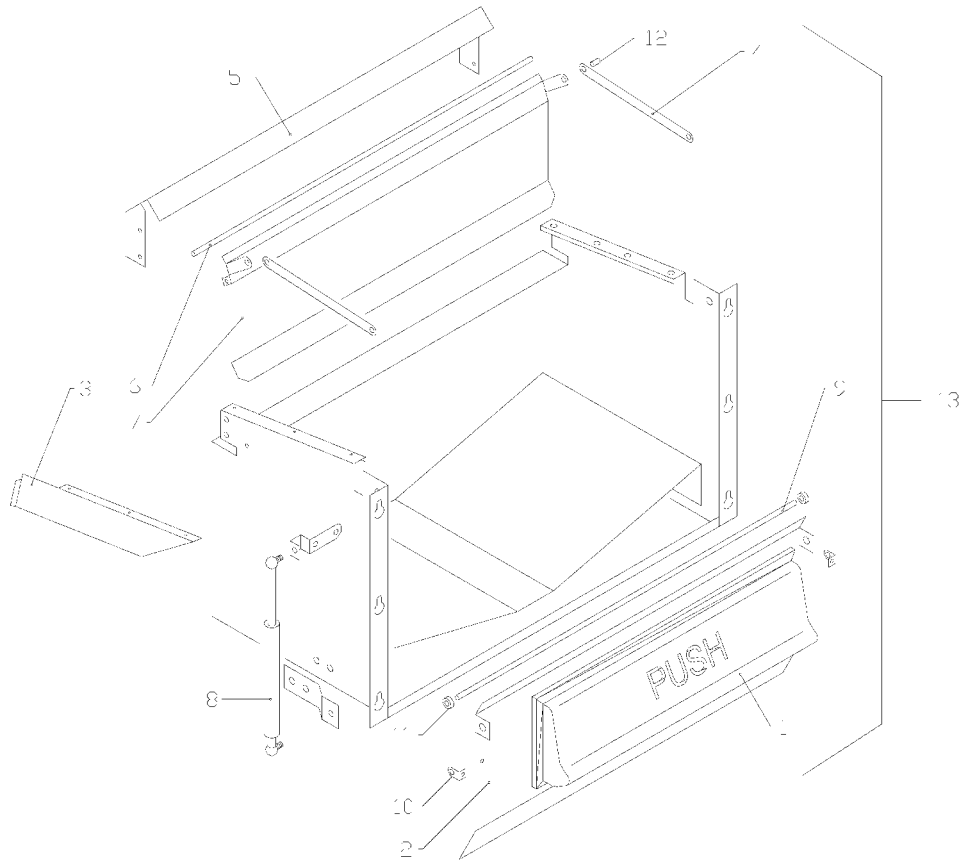
YOUNG160-CASSETTO - BANDEJA



PARTS LIST

Pos.	Code	Description	Suggested	Price
0002	830143NN	LEFT SLIDING GUIDE		
0004	630481	TRAY STOPPING SPRING		
0005	220157	SELECTION INDICATOR PANEL (11-70)		
0006	220064	PRICES SILKSCREEN BOTH SIDES		
0006	220841	PRICE LABELS SHEET EUR/POUNDS		
0006	220165	PRICE LABELS SHEET		
0006	220201	NUMBER LABELS (2-3-4-5)		
0007	400722	PRICE LABEL HOLDER L.593		
0008	400838	SPIRAL SUPPORT BLACK		
0008	400001	APPOGGIO PER CASSETTO BIANCO		
0009	830142NN	RIGHT SLIDING GUIDE		
0012	630777	SCIVOLO LEXAN CASSETTO YOUNG		
0013	630955	SCIVOLO PRODOTTI SU CASSETTO YOUNG		
0014	300150	CLAMP WH 140X3,6 TEB TYB 24M		
0015	310036	CABLAGGIO CASSETTO SPIRALI (M)		
0016	400595	SPONDA REGOL.CASSETTI FAS (BI)R253 L=3		
0016	400594	ADJUSTABLE SIDE PLATE-BLACK L=398		
0017	211002	PIN FOR SPRING ADJUSTABLE		
0018	630779NN	DIVIDER (BLACK)		
0018	630779BI	NUOVO SEPARATORE CASSETTI SPI VERNICIATO		
0019	211028	SPRING FOR DIVIDER SUPPORT PIN		
0020	631084	STAFFA SCARICO BOTT.MOBILE FAST		
0021	750043	BOTTLE DISPENSING BAR (M)		
0022	855358	KIT SOSTITUZ.BARRA SCARICO BOTT.(M)		

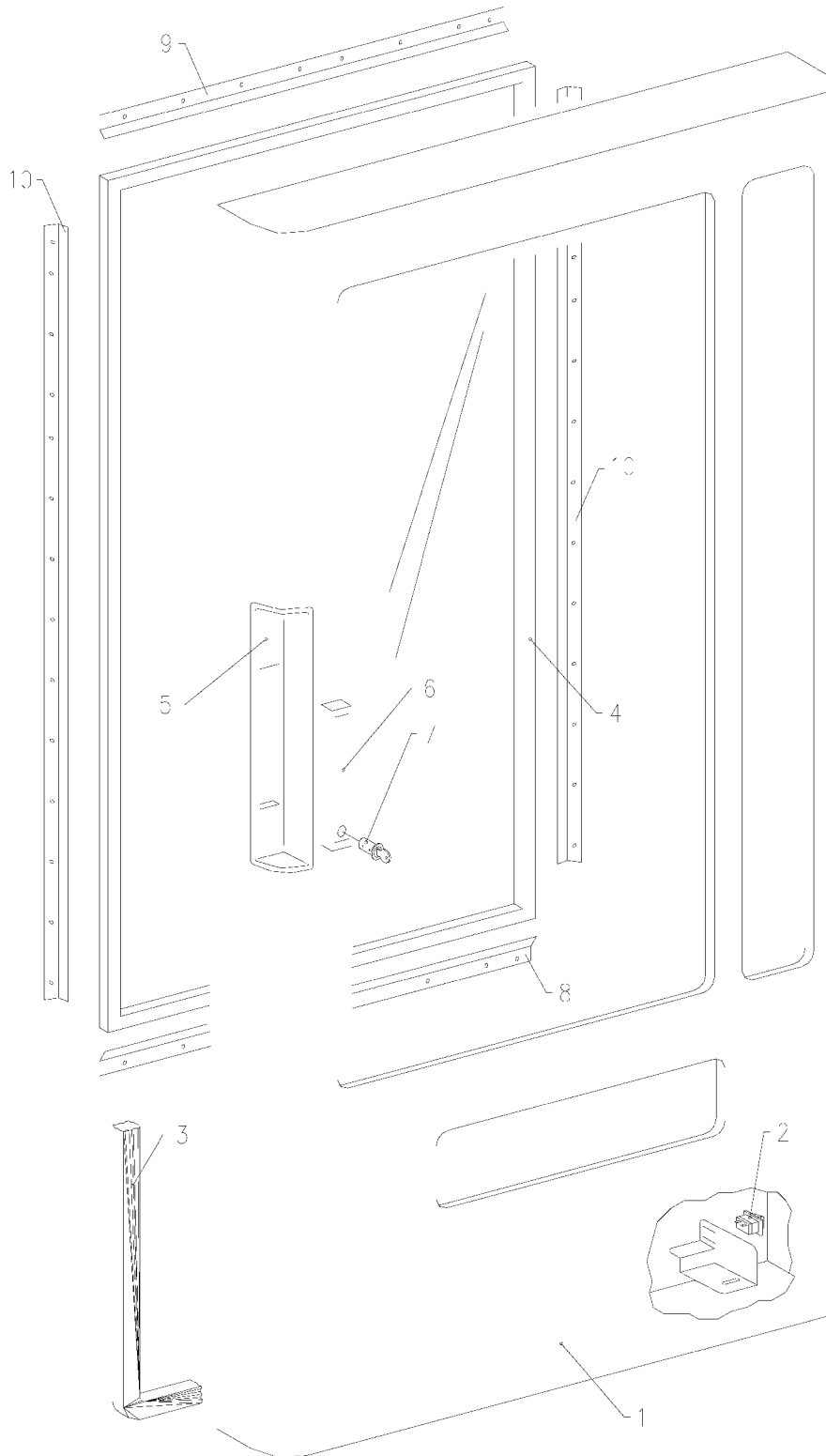
YOUNG160-PORTA_SPORTELLO_PRELIEVO - PUERTA (PORTEZUELA RECOGIDA)



PARTS LIST

Pos.	Code	Description	Suggested	Price
0001	725657	PORTINA PRELIEVO ASS COM/SPI S (NN)		
0002	624021NN	SOSTEGNO PORTINA PRELIEVO YOUNG VERN		
0003	624029	SCIVOLO SX TASCA YOUNG		
0004	624024ZI	ASTA LUNGA LEVERISMO TASCA YOUNG ZINCATA		
0005	624025NN	ANTISCASSO POSTERIORE TASCA YOUNG VERN		
0006	700386	ALBERO LAMA CHIUS.SPORTELLO TASCA YOUNG		
0007	624027NN	LAMA CHIUSURA SPORTELLO YOUNG VERN		
0008	210148	MOLLA A GAS SPORT.VAPSINT FORO 07 MM		
0009	700385ZI	ALBERO PORTINA PRELIEVO TASCA YOUNG ZINC		
0010	624022ZI	ASTA CORTA LEVARISMI TASCA YOUNG ZINCATA		
0011	400604	DISTANZIATORE NYLON DE17 DI8.4 SP5		
0012	700387ZI	PIVOT GALVANIZED		
0013	825520	MONTAGGIO TASCA YOUNG RAL9005 (NN)		

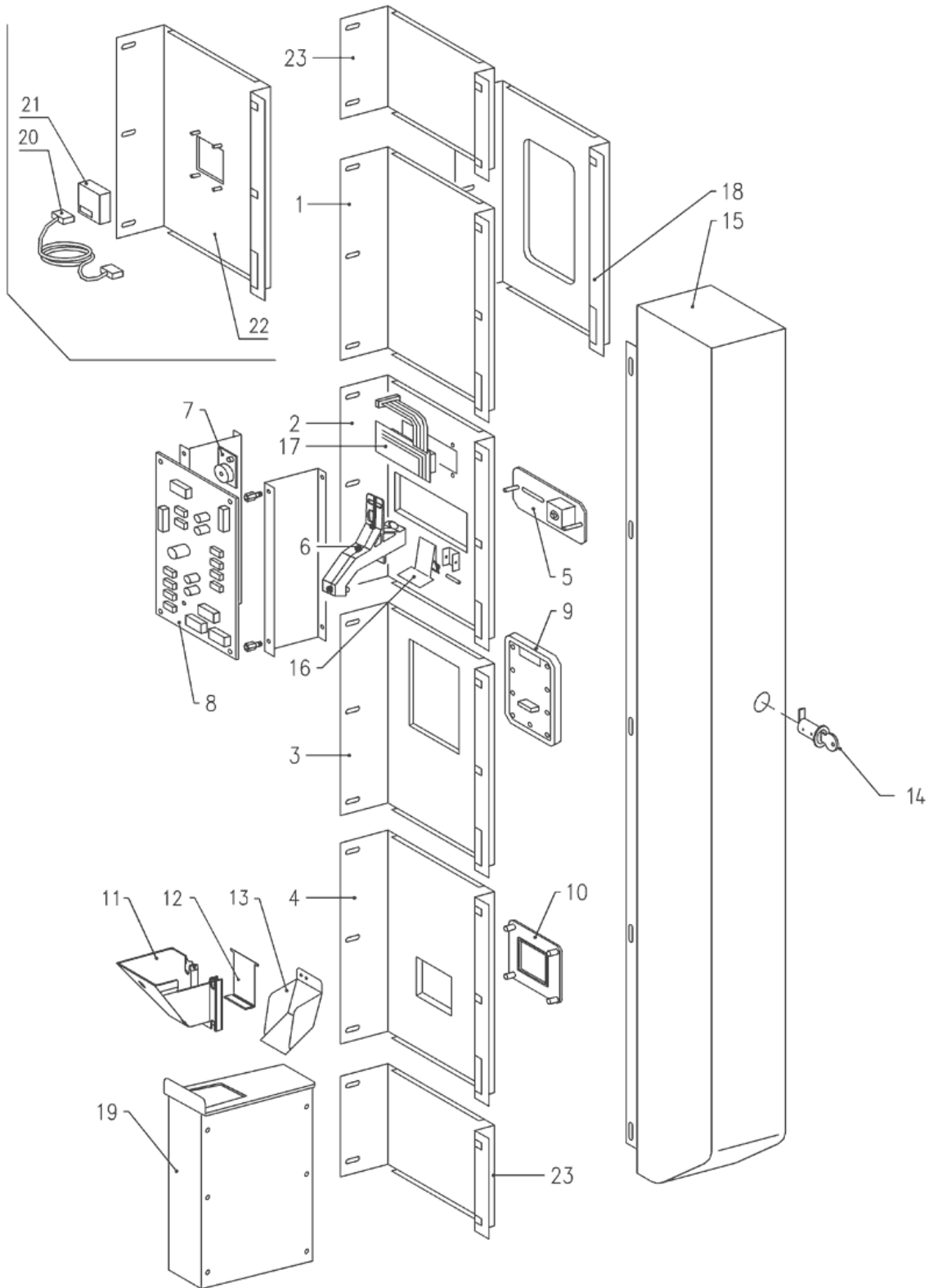
YOUNG160-PORTA - PUERTA



PARTS LIST

Pos.	Code	Description	Suggested	Price
0002	310047	NO MICROSWITCH ARCOELECTRIC C3006CB-FUSIT	✓	
0003	221027	CORNICE GIUNT.BIMESCOLA PORTA YOUNG		
0004	420051	VETROCAMERA 3+3/12/4BE ARGON 998X419X22		
0005	400603	CORNICE MANIGLIA YOUNG NERA		
0006	700383NN	MANIGLIA YOUNG RAL9005		
0007	210300	BLOCC.SERRAT.B657 TIPO3 STD 25001/999		
0008	624453	LAMA ANTIFURTO TASCA YOUNG		
0009	626090	FERMAVETRO SUP PORTA SPI700		
0010	624583	FERMAVETRO LATERALE YOUNG 160/183		

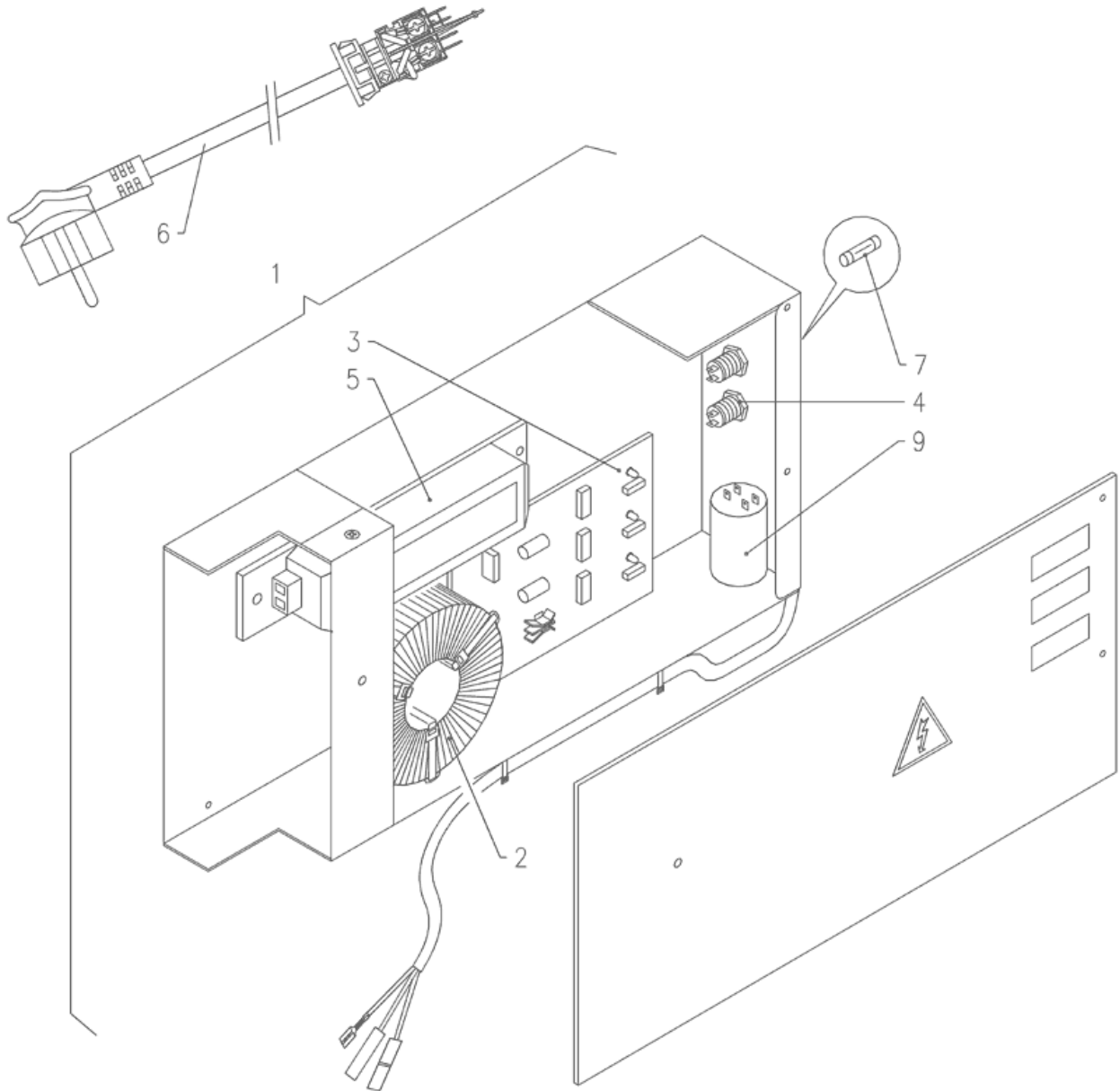
YOUNG160-PORTA_BOX_GETTONIERA - PUERTA (CAJA MONEDERO)



PARTS LIST

Pos.	Code	Description	Suggested	Price
0001	624360	MOD.CIECO FRONT.YOUNG 160/183(NN)		
0002	624358	MOD.DISPLAY FRONT.YOUNG 160/183(NN)		
0003	624359	MOD.TASTIERA FRONT.YOUNG 160/183(NN)		
0004	624357	MOD. RESO MONETE FRONT.YOUNG 160/183(NN)		
0005	845219	MONT.MASCH/PULS.RECUP.MONETE YOUNG (NN)		
0006	726217	ASS.SCIVOLO INTRODUZIONE MONETE ABS		
0007	082183	SCHEDE BUZZER * MAINB. 850		
0008	082630	MAINBOARD OMNIA		
0009	750035	12 PUSHBUTTON NW2 TRANSP. KEYPAD		
0010	400156	CORNICE RENDIRESTO RAL9005 (NN)		
0011	400819	SCIVOLO RESO MONETE ABS		
0012	627085	SPORTELLLO SCIVOLO RESO MONETE		
0013	400818	SCIVOLO PICCOLO CASSA MONETE ABS		
0014	210320	BLOCK LOCK WITH CAM		
0016	725286	ASS.LEVA RECUPERO MONETE YOUNG		
0017	845257	MONTAG.DISPLAY YOUNG		
0019	726218	ASSIEME SCATOLA MONETE YOUNG		
0020	300980	INTERF.EVADTS (082334A-082600-082605)		
0020	300981	INTERF.EVADTS (082334B-082620)		
0022	726140NN	ASS.MODULO FRONT. YOUNG EVA-DTS		

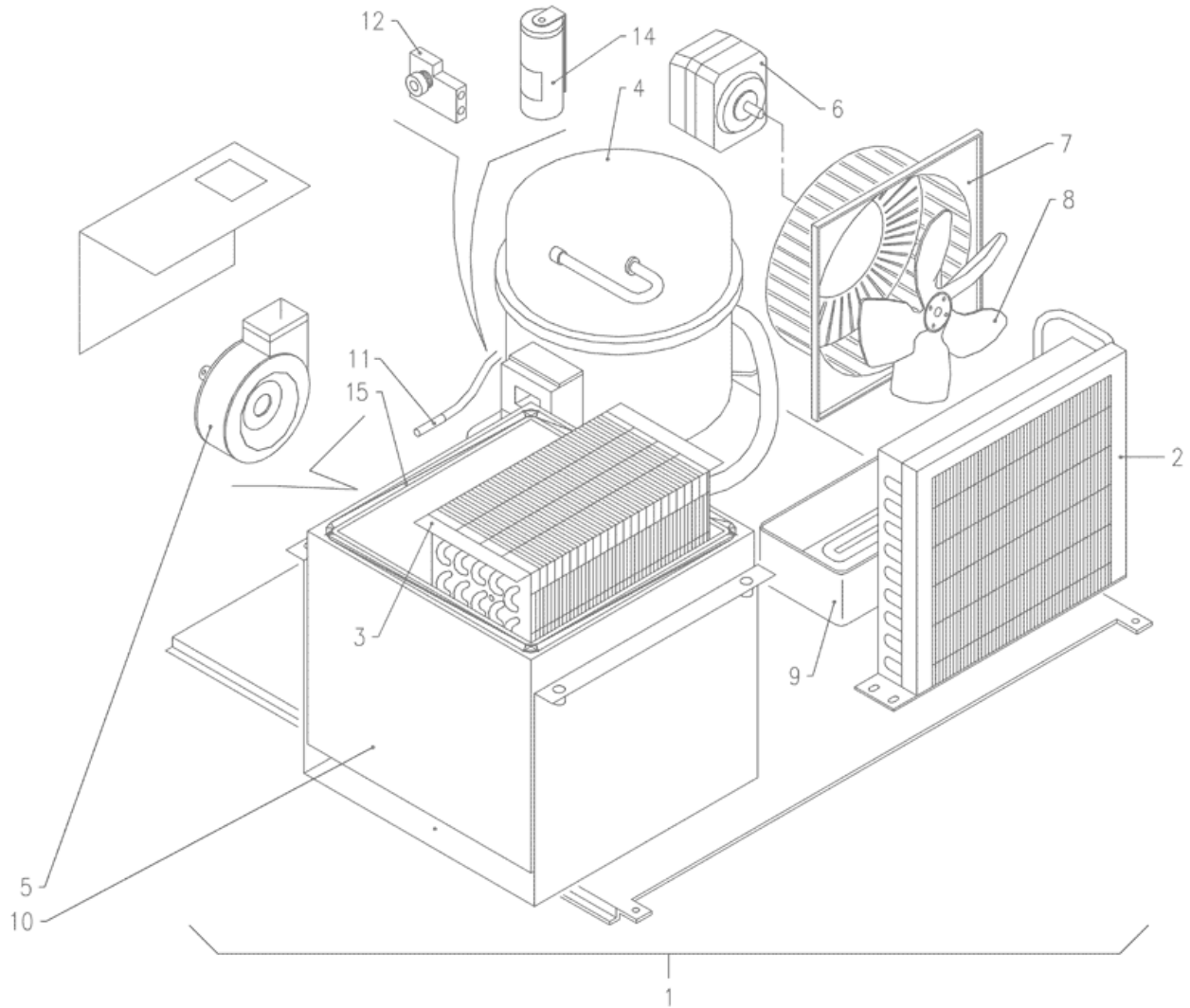
YOUNG160-PANNELLO_ELETTRICO - PANEL ELECTRICO



PARTS LIST

Pos.	Code	Description	Suggested	Price
0001	845265	MONTAG.PAN.ELETT.YOUNG 160/183 OMNIA		
0002	310183	TRANSFORMER 150VA 0-230V 50/60HZ TOROID.	✓	
0003	082805	SCHEDA FIN. MINIPOWER_485	✓	
0004	300215	PORTAFUSIB. EDK (OMEGA P1768)		
0005	300297	REATTORE L-L ERC 230V 50HZ 36W		
0006	300133	STANDARD POWER SUPPLY LOOM		
0006	300459	CAVO ALIM.UK 3X1,5X2,5 MT+MORSETTIERA		
0007	300415	WEBER 6,3X32 6,3 A FUSE	✓	
0007	300425	DELAYED 6,3X32 16 A FUSE	✓	
0007	300410	WEBER 6X30 3,15 A FUSE	✓	
0009	C300066	NET FILTER	✓	

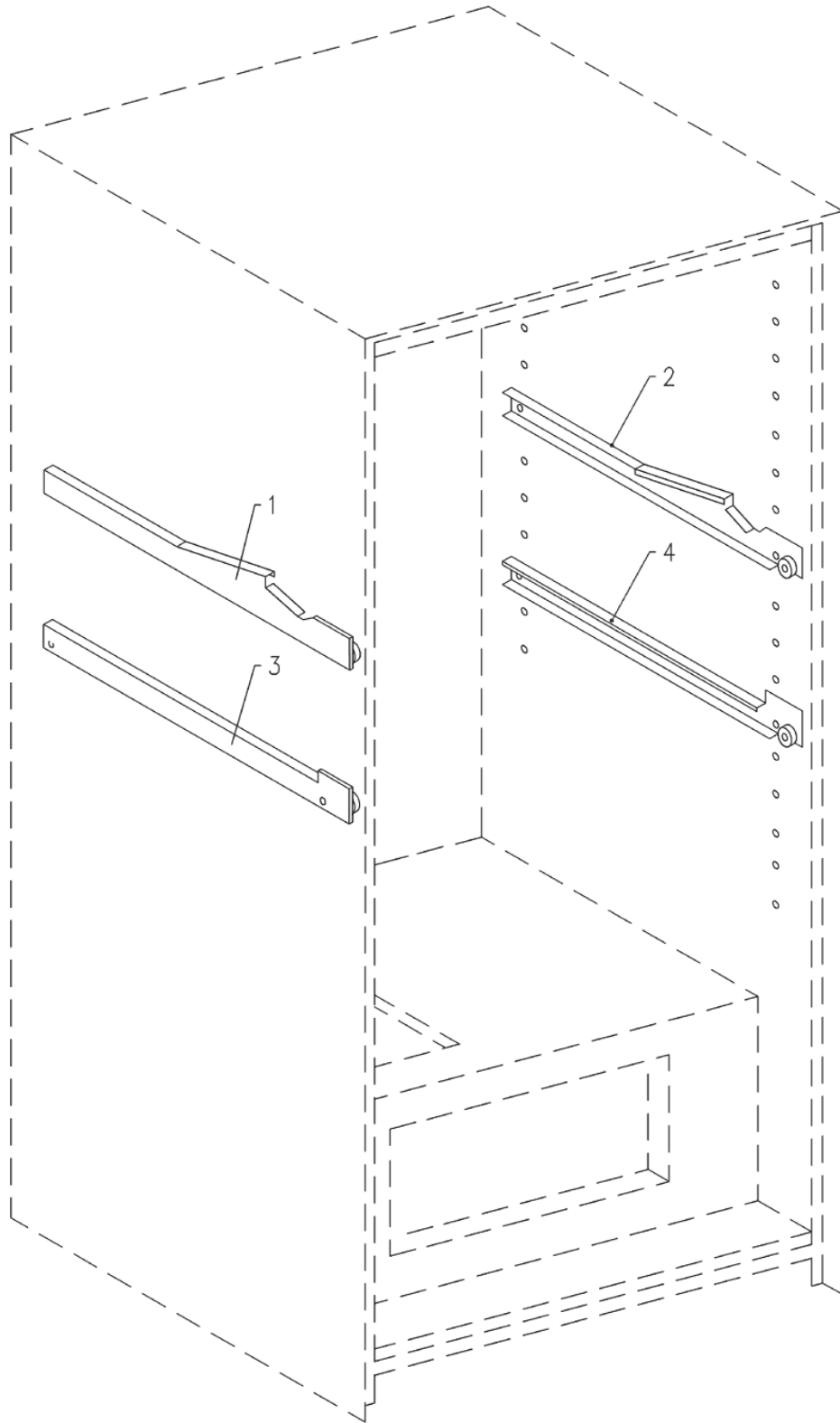
YOUNG160-GRUPPO_FRIGO - GRUPO FRIO



PARTS LIST

Pos.	Code	Description	Suggested	Price
0001	840203	FRIGO 50HZ YOUNG COMPR.EMBRACO VENT.ECM	✓	
0002	410317	C 1024/4 CAPACITOR		
0003	410019	EVAPORATORE YOUNG		
0005	410022	VENTILATORE CENTR.EMC RF2C-133/046 K010S	✓	
0006	410412	MOTOVENTILATEUR EMI 82 CE-2010/27	✓	
0007	400513	GRIGLIA-CONVOGLIATORE GRC4/GR (GRIGIO)		
0008	410371	230MM FAN		
0009	400674	VASCHETTA FRIGO YOUNG TERMOFORMATATA		
0010	740074	ASS.SCATOLA EVAPORATORE YOUNG		
0011	310455	TEMPERATURE PROBE	✓	
0015	221026	CORNICE GIUNTATA SCATOLA EVAP.YOUNG		

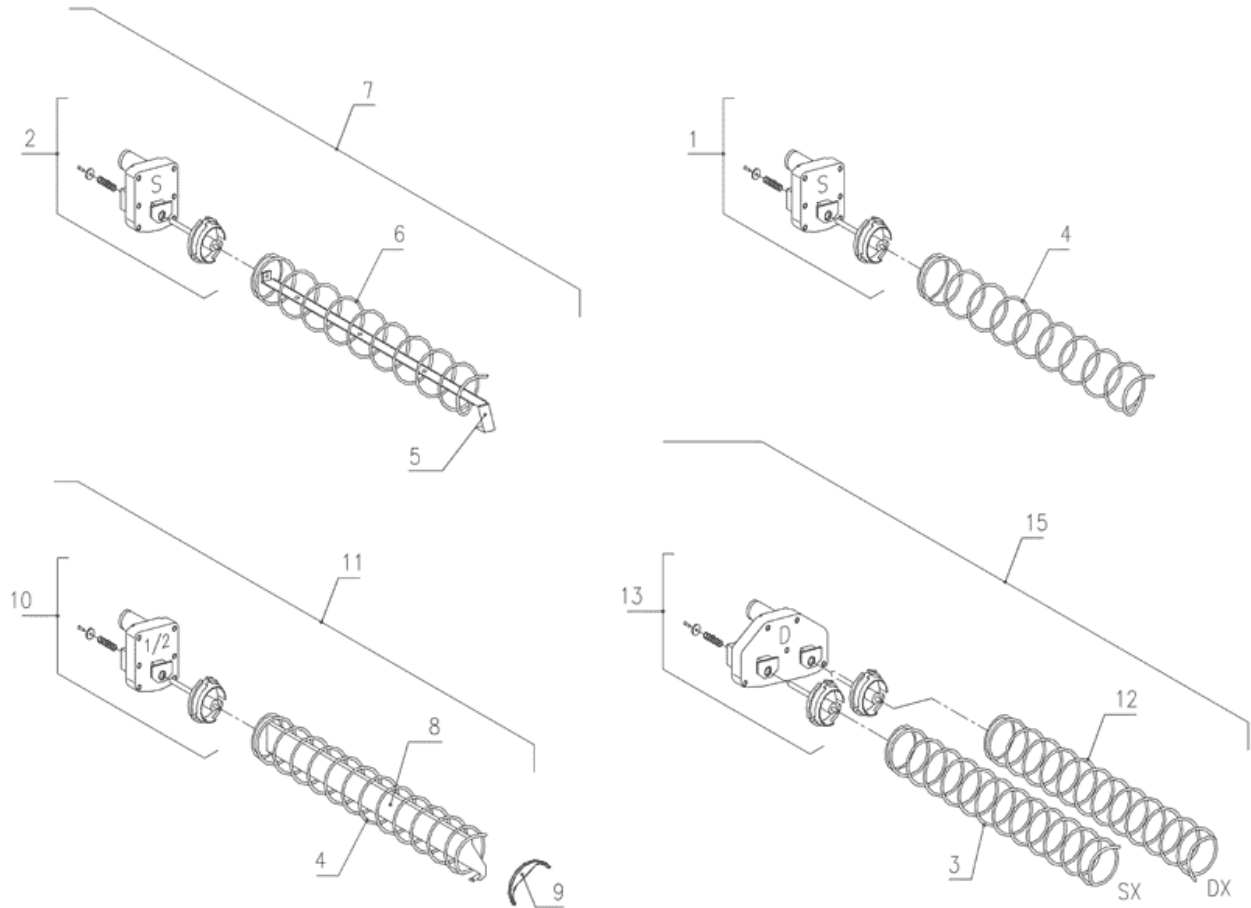
YOUNG160-SOSTEGNO_CASSETTI - APOYO CAJONES



PARTS LIST

Pos.	Code	Description	Suggested	Price
0001	830511	MON.GUIDA FISSA SX YOUNG		
0002	830510	MON.GUIDA FISSA DX YOUNG		
0003	830397	MON.GUIDA FISSA SX DRITTA YOUNG		
0004	830395	MON.GUIDA FISSA DX DRITTA YOUNG		

YOUNG160-ACCESSORI_CASSETTO - ACCESORIOS BANDEJA



PARTS LIST

Pos.	Code	Description	Suggested	Price
0001	830290	MOTOR GROUP FOR SINGLE SPIRAL	✓	
0002	830420	MOTOR GROUP/BLUE HOOK	✓	
0003, 0004	211027NN	SPIRAL PITCH 36/11 PRODUCTS BLACK		
0003, 0004	211081NN	SPIRAL PITCH 30/13 PRODUCTS BLACK		
0003, 0004	211019NN	SPIRAL PITCH 26/16 PRODUCTS BLACK		
0003, 0004	211043NN	SPIRAL PITCH 80/5 PRODUCTS BLACK		
0003, 0004	211086NN	SPIRAL PITCH 54/7 PRODUCTS BLACK		
0003, 0004	211085NN	SPIRAL PITCH 64/6 PRODUCTS BLACK		
0003, 0004	211017NN	SPIRAL PITCH 42 BLACK		
0003, 0004	211014NN	SPIRAL PITCH 20/20 PRODUCTS BLACK		
0004, 0003	211274	SPIRAL GALV. P=20 Ø=66 21 PR. LEFT		
0004	211135NN	MOLLA SPIRALE P.88 DEST.78 FILO=3,8 VERN		
0004	211291	SPIRAL GALV. P=78 Ø=78 5 PR. LEFT		
0004	211064NN	SPIRAL P.19 Ø78 BLACK		
0004, 0003	211281	SPIRAL GALV. P=80 Ø=70 5 PR. LEFT		
0004, 0003	211277	SPIRAL GALV. P=36 Ø=66 11 PR. LEFT		
0004	211082NN	SPIRAL PITCH 35 Ø78 BLACK		
0004	211083NN	SPIRAL PITCH 55/7 PRODUCTS BLACK		
0004	211290	SPIRAL GALV. P=55 Ø=78 7 PR. LEFT		
0004, 0003	211287	SPIRAL GALV. P=64 Ø=66 6 PR. LEFT		
0004	211273	SPIRAL GALV. P=45 Ø=78 9 PR. LEFT		

Pos.	Code	Description	Suggested	Price
0004, 0003	211289	SPIRAL GALV. P=54 Ø=66 7 PR. LEFT		
0004	211087NN	SPIRAL PITCH 65 Ø78 BLACK		
0004, 0003	211276	SPIRAL GALV. P=26 Ø=66 16 PR. LEFT		
0004	211084NN	SPIRAL PITCH 78/5 PRODUCTS BLACK		
0004	211268	SPIRAL GALV. P=100 Ø=78 4 PR. LEFT		
0004	211286	SPIRAL GALV. P=35 Ø=78 12 PR. LEFT		
0004	211013NN	SPIRAL PITCH 45/9 PRODUCTS BLACK		
0004, 0003	211275	SPIRAL GALV. P=42 Ø=66 9 PR. LEFT		
0004	211054NN	SPIRAL PITCH 100/4 PRODUCTS BLACK		
0004, 0003	211285	SPIRAL GALV. P=30 Ø=66 14 PR. LEFT		
0005	855155	KIT MONT.SOSTEGNO 6 PRODOTTI		
0006	211244NN	SPIRAL P.75 6PRODUCTS FOR BAYONET SUPPOR		
0006	211269	SPIRAL GALV. P=75 Ø=70 6 BOT. LEFT		
0007	855139	KIT MONTAG.MOLLA 6 PRODOTTI LATT.		
0008	630773NN	SEPARATORE PER 1/2 GIRO VERN.		
0009	400800	BLACK SPIRAL EJECTOR		
0010	830299	GRUPPO AGG. 1/2 GIRO+MOTORID.BUDGET		
0011	855242	GRUP.MOT. 1/2 GIRO + MOLLA P.26		
0011	855241	GRUP. MOT.1/2 GIRO + MOLLA P.22		
0012	211088NN	RIGHT SPIRAL PITCH 54/7 PRODUCTS BLACK		
0012	211089NN	RIGHT SPIRAL PITCH 26/16 PRODUCTS BLACK		
0012	211284	SPIRAL GALV. P=30 Ø=66 14 PR. RIGHT		
0012	211279	SPIRAL GALV. P=36 Ø=66 11 PR. RIGHT		
0012	211280	SPIRAL GALV. P=42 Ø=66 9 PR. RIGHT		
0012	211042NN	RIGHT SPIRAL PITCH 42/9 PRODUCTS BLACK		

Pos.	Code	Description	Suggested	Price
0012	211041NN	RIGHT SPIRAL PITCH 36/11 PRODUCTS BLACK		
0012	211283	SPIRAL GALV. P=26 Ø=66 16 PR. RIGHT		
0012	211278	SPIRAL GALV. P=64 Ø=66 6 PR. RIGHT		
0012	211090NN	RIGHT SPIRAL PITCH 30/13 PRODUCTS BLACK		
0012	211288	SPIRAL GALV. P=54 Ø=66 7 PR. RIGHT		
0012	211091NN	RIGHT SPIRAL PITCH 80/5 PRODUCTS BLACK		
0012	211292	SPIRAL GALV. P=80 Ø=70 5 PR. RIGHT		
0012	211039NN	RIGHT SPIRAL P64/6 PRODUCTS BLACK		
0012	211079NN	CONTROLLARE		
0013	830291	MOTOR GROUP FOR DOUBLE SPIRAL	✓	
0015	855701	DOUBLE SPIRALS P.30+MOTOR KIT		
0015	855706	DOUBLE SPIRALS P.80+MOTOR KIT		
0015	855702	DOUBLE SPIRALS P.36+MOTOR KIT		
0015	855373	DOUBLE SPIRALS P.54+MOTOR KIT		
0015	855703	DOUBLE SPIRALS P.42+MOTOR KIT		
0015	855700	DOUBLE SPIRALS P.26+MOTOR KIT		
0015	855705	DOUBLE SPIRALS P.64+MOTOR KIT		