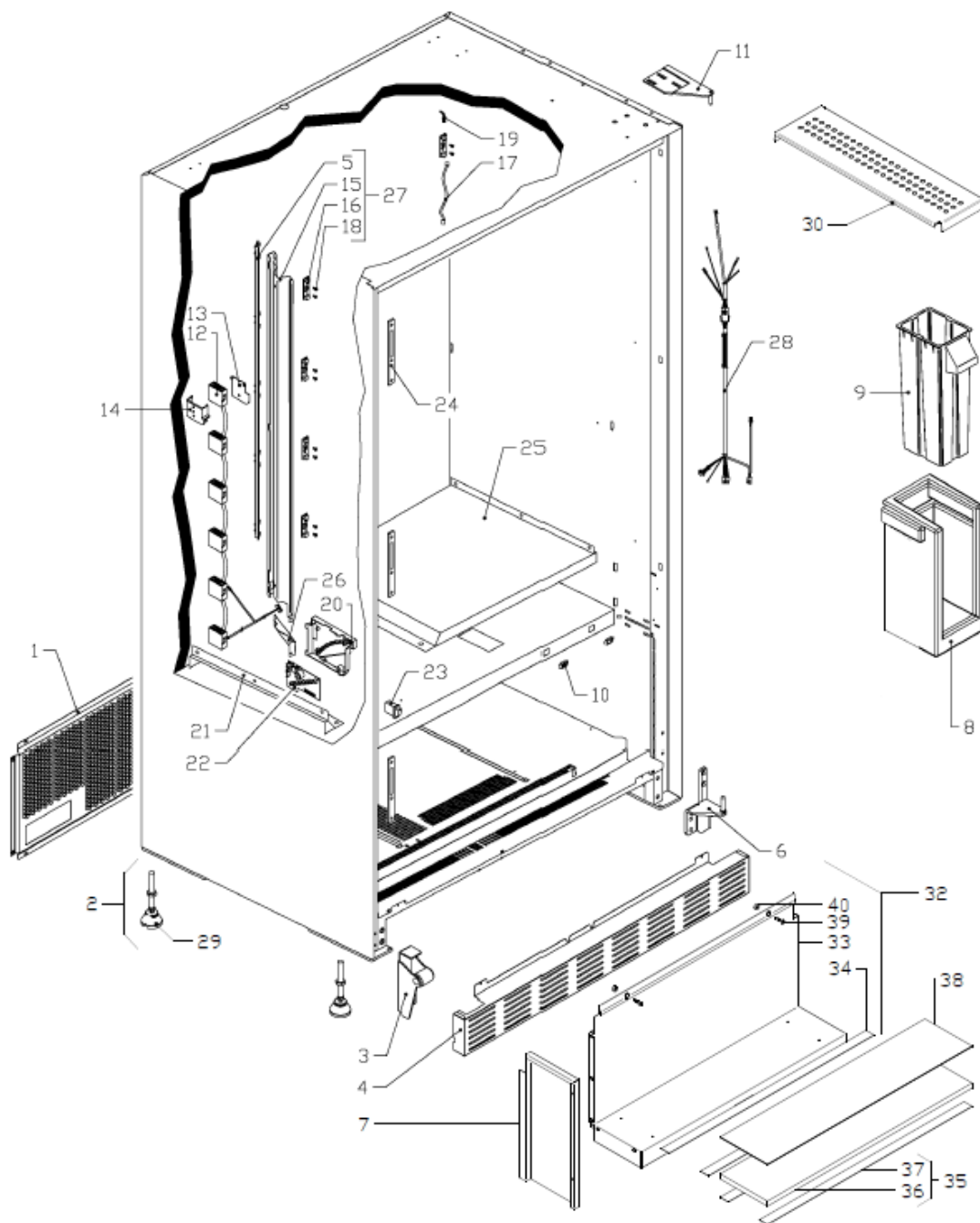


- 1. 981960T-CASSONE - CAJÓN**
- 2. 981960T-GRUPPO_CASSETTO - BANDEJA**
- 3. 981960T-PORTA - PUERTA**
- 4. 981960T-PANNELLO_ELETTRICO - PANEL ELECTRICO**
- 5. 981960T-GRUPPO_FRIGO - GRUPO FRIO**
- 6. 981960T-MONTAGGIO_SPONDA - SIDE PANEL**
- 7. 981960T-PANNELLO_FRONTALE - FRONT PANEL**
- 8. 981960T-ACCESSORI_CASSETTO - ACCESORIOS BANDEJA**
- 9. 981960T-ACCESSORI - ACCESORIOS**

981960T-CASSONE - CAJÓN

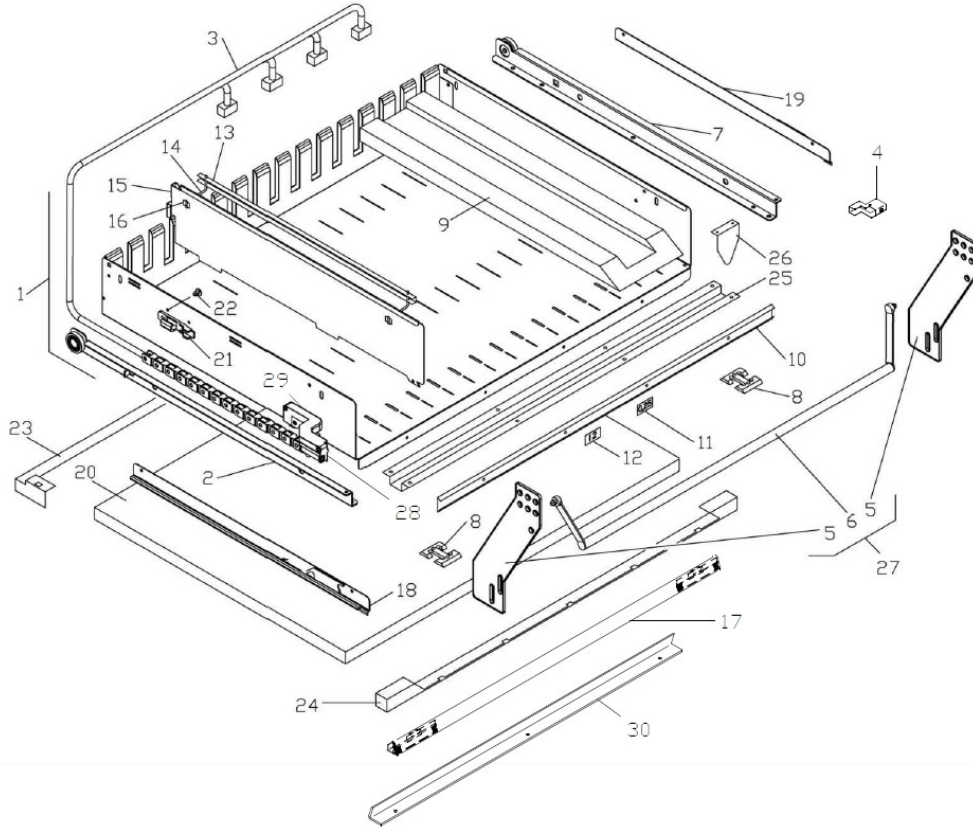


PARTS LIST

Pos.	Code	Description	Suggested	Price
0001	621590	REAR GRID		
0002	820437	COMPLETE FOOT WITH ANTISLIP BASE		
0003	720488	DOOR SLIDEBRACKET		
0004	855419	LEG COVER 900 RAL7021		
0005	621487	LED HOLDER ROD		
0006	201124	SCTREW M6X20 GALV. UNI5933		
0006	720544NN	DOOR ANTITHEFT LOWER HINGE		
0007	627705AA	LEFT COVER AA FASTER TM		
0008	750049	COIN BOX HOLDER		
0009	401150	PLASTIC COIN BOX		
0010	210059	RECEPTACLE		
0011	720545NN	DOOR UPPER HINGE		
0012	310577	LEFT HARNESS (SHELVES+LIGHT.) FASTER GDC		
0013	401140	COVER FOR FEMALE CONNECTOR HOLDER		
0014	401139	FEMALE CONNECTOR HOLDER		
0015	621486	LED LEFT COVER		
0016	082782	BOARD WITH LED ASSEMBLY	✓	
0017	310383	LED BAR CONNECTION LOOM		
0018	210289	PLASTIC RIVET RICHCO SR-3045-B RMS-52		
0019	310384	BOND FOR LED BOARDS		
0020	401131	PHOTOCELLS COVER		
0021	621837	DELIVERY SIDE CONVEYOR EASY CLICK		
0022	310578	PHOT. + DOOR MICROSW. HARNESS FASTER GCD		
0022	082651	REFLECTION PHOTOCELLS EL. BOARD EVO		
0023	310047	NO MICROSWITCH ARCOLECTRIC C3006CB-FUSIT	✓	

Pos.	Code	Description	Suggested	Price
0024	621555ZI	EXTERNAL LOCK BLADE		
0025	621839	SUCTION CONVEYOR EASY CLICK		
0026	621488	LED LOWER LEFT COVER		
0027	820414	LEFT SUPPORT + LED ASSEMBLY		
0028	310630	COLUMN WIRING FASTER TM DOOR		
0029	400908	BASE ANTISLIPPING FOOT		
0030	401236	PRODUCTS SHELF		
0032	820649	ASS.SEPAR.VANO FRIGO+VELCRO TM GCD 900		
0033	820648	REF. UNIT SPACE DIVIDER FASTER TM GCD900		
0034	C220201	VELCRO 3M SJ3507 LOOP		
0035	820584	MAT + VELCRO DIVIDER ASSEMBLY TM 900		
0036	401487	DELIVERY POCKET PAD TM 900		
0037	C220200	VELCRO 3M SJ3506 HOOK		
0038	401492	DELIVERY POCKET SERIG.PROT. LEXAN TM 900		
0039	210068	PERNO		
0040	210069	RUBBER SHIM		

981960T-GRUPPO_CASSETTO - BANDEJA

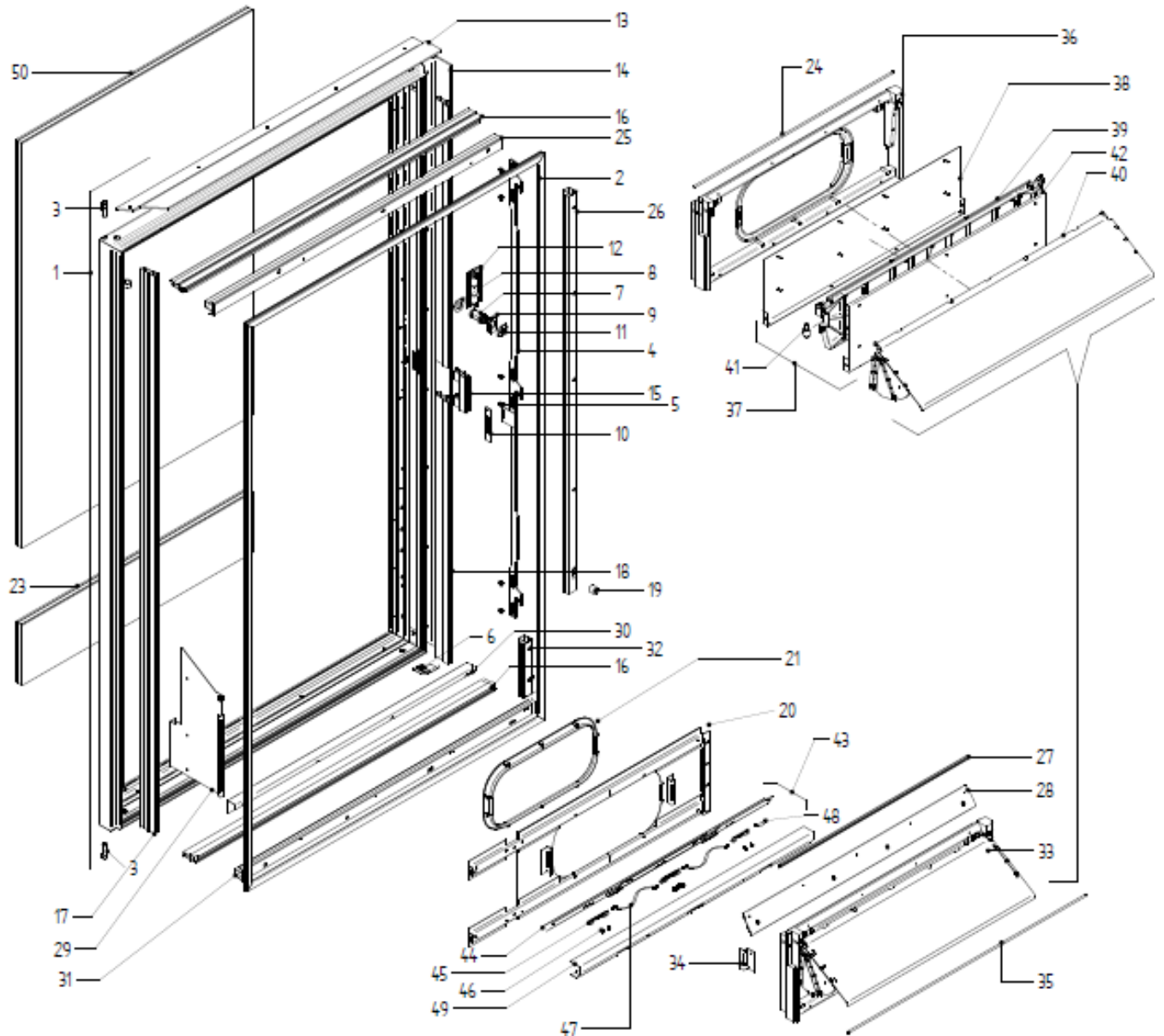


PARTS LIST

Pos.	Code	Description	Suggested	Price
0001	801025	SHELF (M) ASSEMBLY		
0001	801028	TRAY ASSEMBLY (M) FOR TELESCOPIC SLID		
0002	830143NN	LEFT SLIDING GUIDE		
0003	750076	TRAY CHAIN HARNESS M	✓	
0004	750223	EASY CLICK SHELF LOCK ASSEMBLY		
0005	631383	BRACKET FOR BOTTLES/CANS DISPENSING BAR		
0006	750043	BOTTLE DISPENSING BAR (M)		
0007	830142NN	RIGHT SLIDING GUIDE		
0008, 0008	630481	TRAY STOPPING SPRING		
0009	400838	SPIRAL SUPPORT BLACK		
0010	400722	PRICE LABEL HOLDER L.593		
0011	220064	PRICES SILKSCREEN BOTH SIDES		
0011	220841	PRICE LABELS SHEET EUR/POUNDS		
0011	220165	PRICE LABELS SHEET		
0011	220201	NUMBER LABELS (2-3-4-5)		
0012	220157	SELECTION INDICATOR PANEL (11-70)		
0013	400594	ADJUSTABLE SIDE PLATE-BLACK L=398		
0014	211002	PIN FOR SPRING ADJUSTABLE		
0015	630779NN	DIVIDER (BLACK)		
0016	211028	SPRING FOR DIVIDER SUPPORT PIN		
0017	855459	KIT 1 x SHELF DISPLAY BAR 900		
0018	210251	LEFT TRAY SUPPORT TYPE CB69410		
0019	210253	RIGHT TRAY SUPPORT TYPE CB69411		
0020	631944	SHELF INSULATING PANEL M EASY CLICK		
0021	401141	PEG FOR TRAY HARNESS		

Pos.	Code	Description	Suggested	Price
0022	210287	PLASTIC RIVET RICHCO SR-4060-BK		
0023	631102	REAR FIXING BRACKET M SIZE		
0024	631103	FRONT FIXING BRACKET M SIZE		
0025	624179	TRAY REINFORCED SUPPORT M		
0026	401063	CANS DEFLECTOR		
0027	850303	KIT DISPENSING BOTTLE BAR SIZE (M)		
0028	401137	SHELVES HARNESS COVER		
0029	401138	CHAIN HOLDER COVER		
0030	401395	900 TRAY DISPLAY PROTECTIVE COVERING		

981960T-PORTA - PUERTA

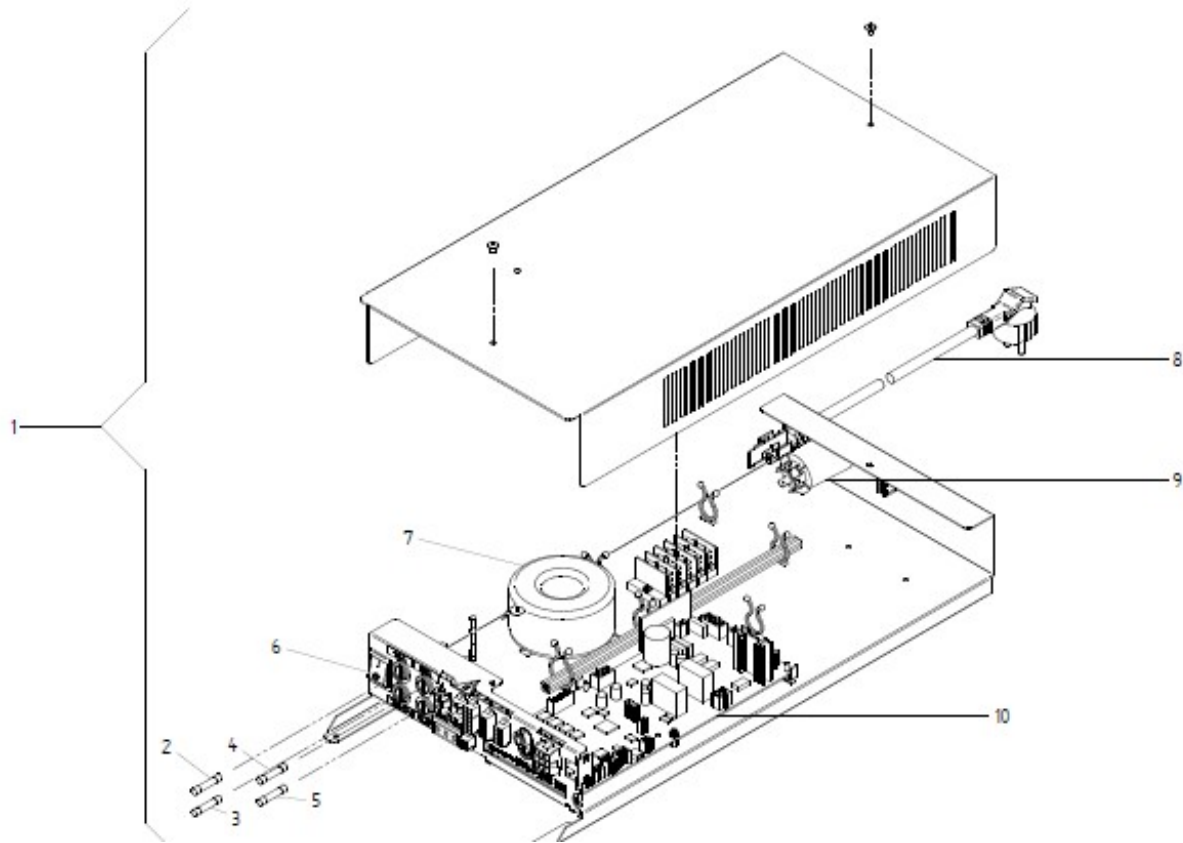


PARTS LIST

Pos.	Code	Description	Suggested	Price
0001	826939	DOOR FRAME ASSEMBLY FASTER GCD 900		
0002	221053	MAGNETIC GASKET 1638X838 I.M.11,6X3		
0003	700435	BUSH FOR DOOR ROTATION		
0004	726499	DOOR CLOSING ANTI-THEFT BAR		
0005	700434	BUSH FOR CLOSING ROD SLIDING		
0006	631085	DOOR WHEEL RAISER		
0007	210363	BLOCK LOCK RIELDA MOD. 511 RS1+KEY	✓	
0008	700505	LOCK PROTECTION WASHER		
0009	627725	ANTIROTATION LOCK INCREASED		
0010	726286ZI	120° LOCK RACK		
0011	624672	120° LOCK FRAME		
0012	401134	DOOR HANDLE		
0013	624867MM	DOOR UPSIDE ANTITHEFT BAR 900		
0014	624623MM	SIDE ANTITHEFT BAR		
0015	401104	RIGHT GASKET HOLDER		
0016	400869	HORIZONTAL GASKET PROFILE (L=848)		
0017	400867	LEFT GASKET PROFILE (L=1620)		
0018	400841	LOWER RIGHT GASKET PROFILE (L=760)		
0019	400961	PVC SOFT FOOT TH. 18 EXT.D. 18,5		
0020	726651NN	HORIZ. UPRIGHT ASSEMBLY FASTER TM 900 NN		
0021	401474TG	DELIVERY DOOR FRAME TM		
0023	420088	INSUL. GLASS 3+3+12+4 FASTER TM 900		
0024	700550	PIN FOR REINF. DELIVERY DOOR FASTER 900		
0025	401105	UPPER GLASS STOP 900		
0026	401101	RIGHT GLASS HOLDER		
0027	108021	PVC SECTION WIDTH 3MM		

Pos.	Code	Description	Suggested	Price
0028	627720NN	UNIVERSAL PROD. BAFFLE PLATE NN L=610		
0029	627694	LOWER REFLECTION METAL PLATE TM		
0030	627754AA	METAL PLATE DELIV. POCKET COVER TM 900		
0031	401106	LOWER HORIZONTAL GLASS HOLDER FOR 900		
0032	401472	SHORT VERTICALL GLASS HOLDER TM		
0033	827080	DELIVERY DOOR SUPP. SET FASTERTM900 ASS.		
0034	627831	DELIVERY DOOR PIN STOPPER FASTER TM		
0035	700551	REINF. PROTECTION PIN FASTER 900		
0036	827079	DELIVERY DOOR SUPP. FASTERTM900 ASS.		
0037	827024	REINF. DELIVERY DOOR TM 900 ASSEMBLY		
0038	726652AA	DELIVERY DOOR FRONT COVER ASS. TM 900		
0039	700569	DELIVERY DOOR FASTER TM 900		
0040	726653	DELIVERY DOOR PROTECTION TM GCD 900		
0041	401405	WHEEL REINFORCED DELIVERY DOOR MOV.		
0042	627713	DELIVERY DOOR REAR COVER TM 900		
0043	827081	LOWER LED BAR ASSEMBLY. FASTER TM 900		
0044	627830	LOWER LED SUPPORT FASTER TM 900		
0045	082782	BOARD WITH LED ASSEMBLY	✓	
0046	210289	PLASTIC RIVET RICHCO SR-3045-B RMS-52		
0047	310383	LED BAR CONNECTION LOOM		
0048	310384	BOND FOR LED BOARDS		
0049	627716NN	LOWER LED COVER NN FASTER TM 900		
0050	420067	INSUL. GLASS 1176X626X22 3+3/12/4 BE AR.		

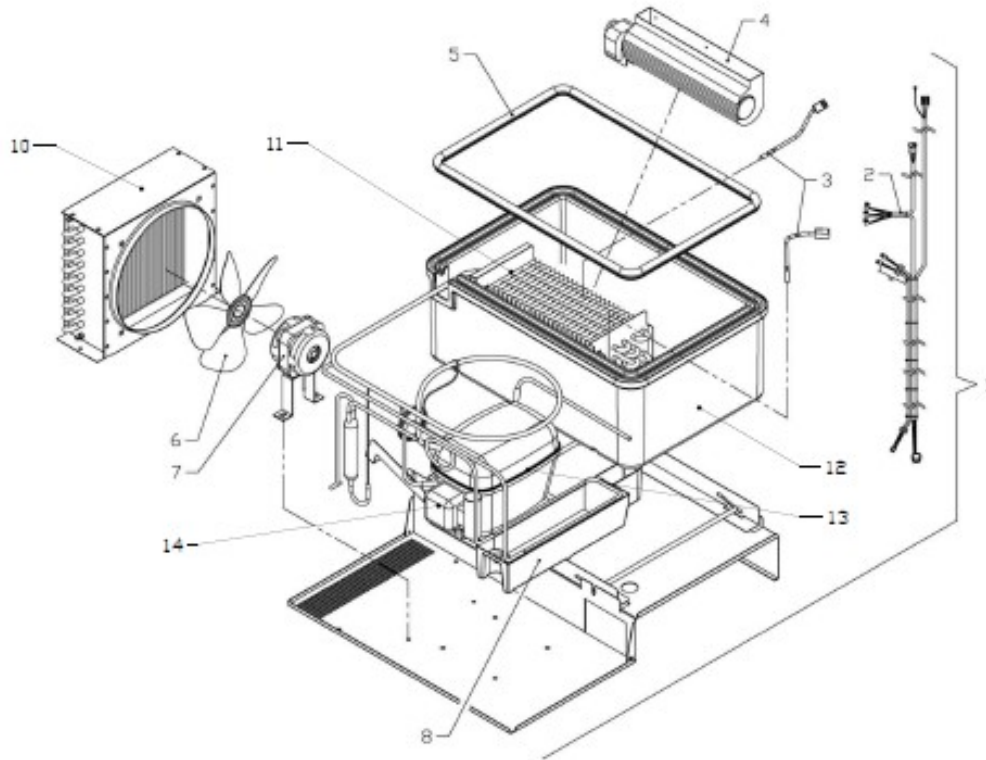
981960T-PANNELLO_ELETTRICO - PANEL ELETTRICO



PARTS LIST

Pos.	Code	Description	Suggested	Price
0001	845300	ELECTRICAL PANEL SPIRALS GCD ASSEMBLY		
0002	300425	DELAYED 6,3X32 16 A FUSE	✓	
0003	300410	WEBER 6X30 3,15 A FUSE	✓	
0004	300420	WEBER 6X30 10 A FUSE	✓	
0005	300415	WEBER 6,3X32 6,3 A FUSE	✓	
0006	310439	BIPOLAR SWITCH 16A 250V		
0007	310183	TRANSFORMER 150VA 0-230V 50/60HZ TOROID.	✓	
0008	300133	STANDARD POWER SUPPLY LOOM		
0009	C300066	NET FILTER	✓	
0010	082638	POWER/CHAIN USB BOARD		

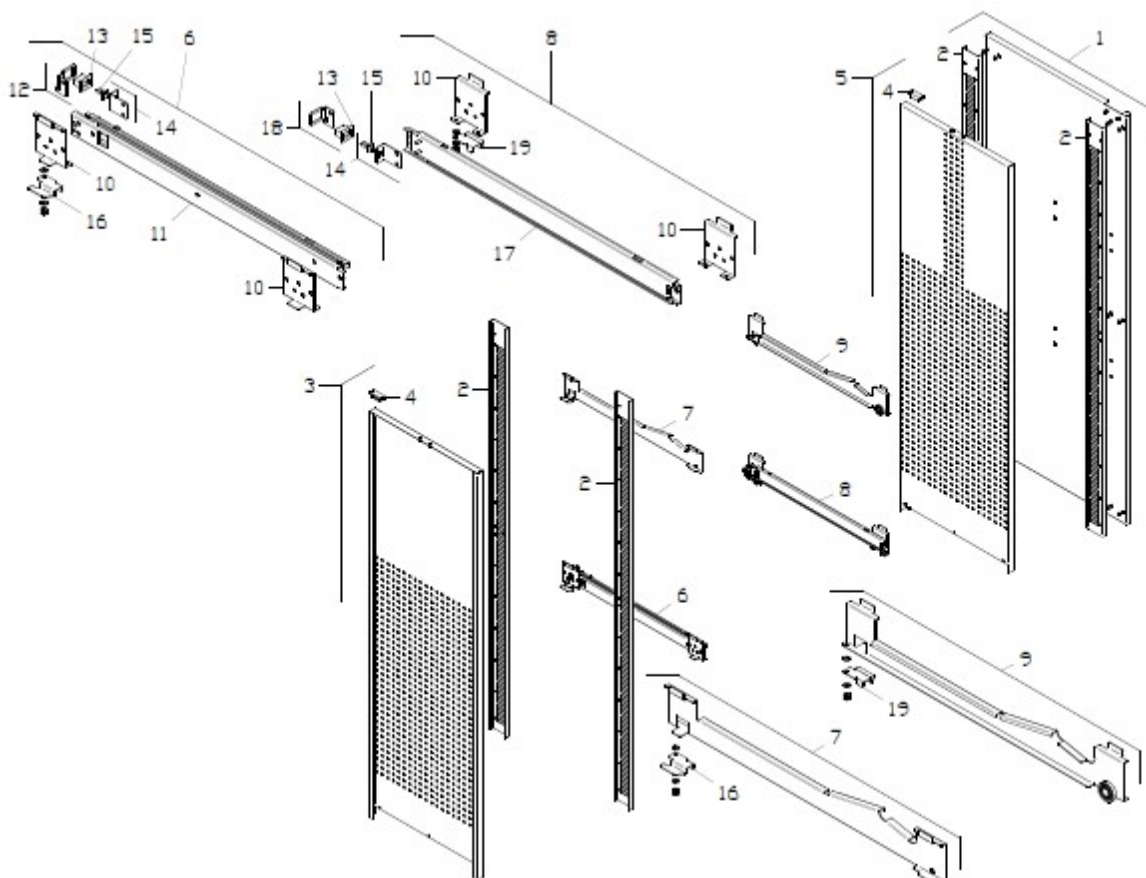
981960T-GRUPPO_FRIGO - GRUPO FRIO



PARTS LIST

Pos.	Code	Description	Suggested	Price
0001	840222	REFRIGERATION UNIT	✓	
0002	310323	TANGENTIAL FAN HARNESS		
0003	310455	TEMPERATURE PROBE	✓	
0004	410109	TANG.TGA 60/1 300/30 V230 50/60HZ 180°	✓	
0005	221112	EVAPORATOR BOX GASKET L=1570		
0006	410371	230MM FAN		
0007	410106	MOTORFAN WITH THERMAL PROTECTION	✓	
0008	400840	CONDENSATE DRAIN PAN		
0010	410053	CONDENSATOR 1022 20T 250X240X43,3		
0011	410094	EVAPORATOR 1T		
0012	740092	PLYSTYRENE EVAPORATOR BOX ASSEMBLIY		
0013	410124	EMBRACO COMPRESSOR NEK6187Z		
0014	310487	STARTER RELAY EMBRACO		
0014	310488	PICKUP CAPACITOR EMBRACO 59µF 330V		

981960T-MONTAGGIO_SPONDA - SIDE PANEL

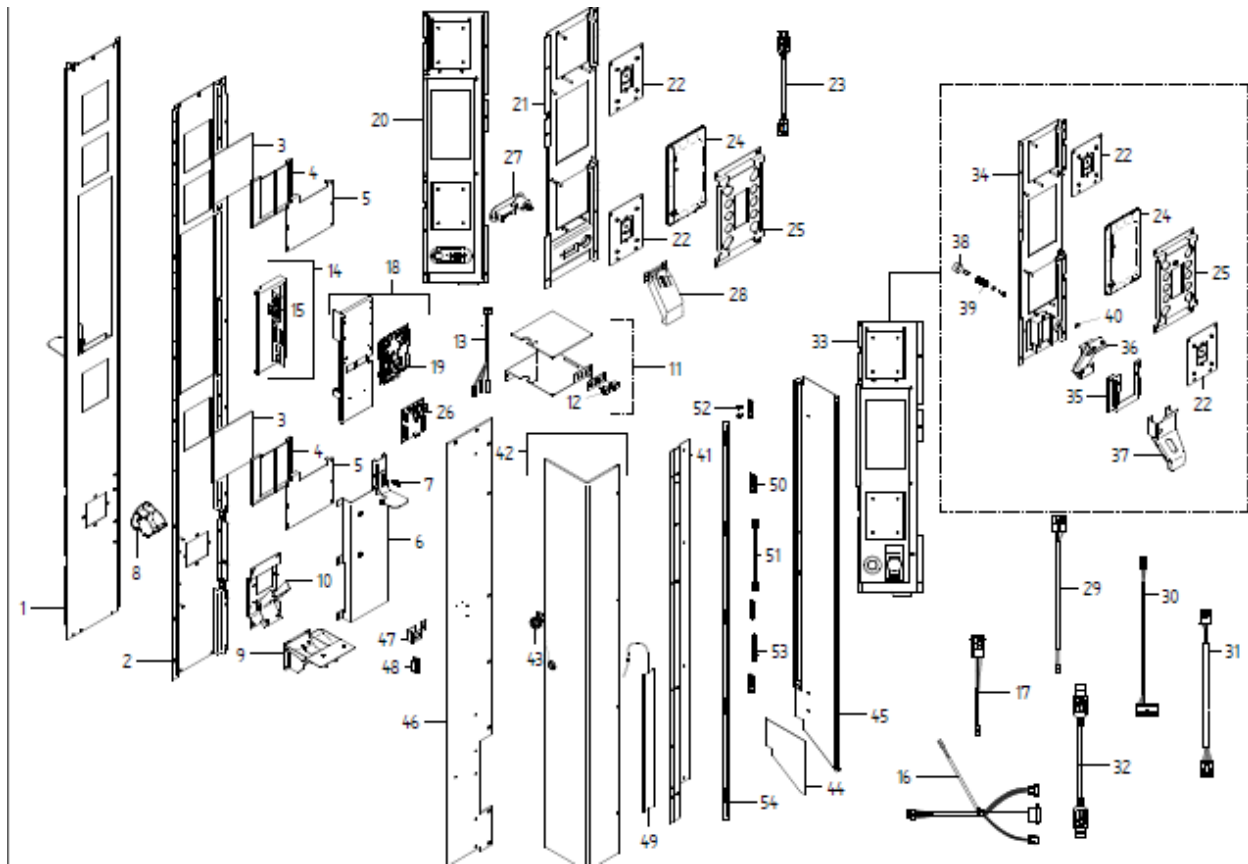


PARTS LIST

Pos.	Code	Description	Suggested	Price
0001	820591	RIGHT UPRIGHT SIDE PANEL HOLDER EASY CL.		
0002, 0002	621834	EASY CLICK GUIDES UPRIGHT		
0003	820600	LEFT SIDE PANEL FAST/FASTER 3T/A EASY CL		
0003	820596	LEFT SIDE PANEL FAST/FASTER 1T EASY CL.		
0003	820589	LEFT SIDE PANEL FAST/FASTER 2T EASY CL.		
0003	820598	LEFT SIDE PANEL FAST/FASTER 3T EASY CL.		
0004, 0004	15100041A	MAGNETIC BLACK CLOSING		
0005	820590	RIGHT SIDE PANEL FAST/FASTER 2T EASY CL.		
0005	820599	RIGHT SIDE PANEL FAST/FASTER 3T EASY CL.		
0005	820601	RIGHT SIDE PANEL FAST/FASTER 3T/A EASY C		
0005	820597	RIGHT SIDE PANEL FAST/FASTER 1T EASY CL.		
0006	820592	LEFT ACCURIDE GUIDE EASY CLICK ASS.		
0007	831016	LEFT SLANTING GUIDE+LOCK EASY CLICK		
0008	820593	RIGHT ACCURIDE GUIDE EASY CLICK ASS.		
0009	831018	RIGHT SLANTING GUIDE+LOCK EASY CLICK		
0010, 0010	621840	BRACKET FOR ACURRIDE EASY CLICK		
0011	210256	LEFT SIDE GUIDE CB7407_1007 REV.A		
0012	830518	FEMALE LOCK LEFT BRAKET		
0013, 0013	210058	FEMALE QUICK HOOK 0191 AA01 FF		
0014, 0014	830519	MALE LOCK BRAKET RIGHT/LEFT		
0015, 0015	210121	MALE FASTENER FOR 7x7 HOLE		
0016, 0016	621846	LEVER LOCK GUIDE LEFT EASY CLICK		

Pos.	Code	Description	Suggested	Price
0017	210257	RIGHT SIDE GUIDE CB7407_1007 REV.A		
0018	830515	FEMALE LOCK RIGHT BRAKET		
0019, 0019	621847	LEVER LOCK GUIDE RIGHT EASY CLICK		

981960T-PANNELLO_FRONTALE - FRONT PANEL



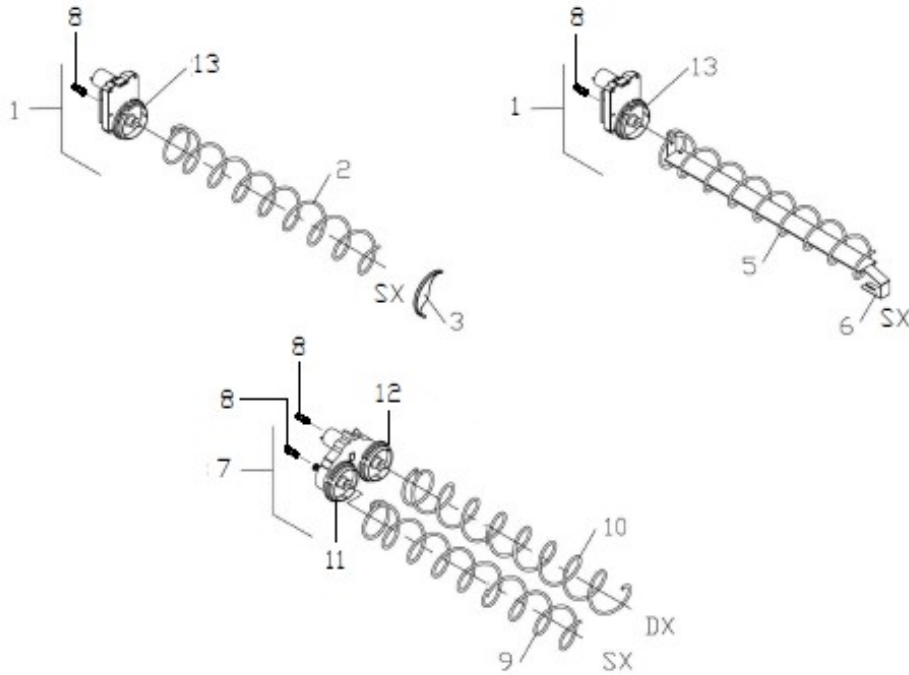
PARTS LIST

Pos.	Code	Description	Suggested	Price
0001	827120	FRONT FANEL FASTER TM GCD NG ASSEMBLY		
0002	726698NN	FRONT PANEL ASSEMBLY FASTER TM NN		
0003	400972	POCKET GLASS		
0004	400971	LABEL POCKET		
0005	627863	POCKET GLASS METAL LOCK TM		
0006	827047	COIN MECHANISM SUPPORT TM ASSEMBLY		
0007	211063	SPRING 0.8X9XL	✓	
0008	827121	ARMORED COINS RETURN TM ASSEMBLY		
0009	827123	ARMORED COINS RETURN SHUTE TM ASS.		
0010	827122	COINS RETURN SUPPORT TM ASSEMBLY		
0011	750246	COVER+PROGR. BUTTONS FASTER MSP		
0012	400941	PROGRAMMING PUSHBUTTONS		
0013	310608	PROG. BUTTONS HARNESS FASTER GCD		
0014	827169	CONNECTORS SUPPORT ASSEMBLY FASTER TM		
0015	082720	24VOLT POWER DISTRIBUTION PCB		
0016	310693	PAYMENT SYST. INTERFACE WITH EL.B.082670		
0017	310580	BOX RESISTANCE HARNESS FASTER GCD		
0018	827048	ELECTRONIC BOARDS SUPPORT TM		
0019	082670	GCD MAIN BOARD	✓	
0020	827119	STANDARD COIN INSERT FASTER TMT MSP ASS.		
0021	726670NN	COINS INSERT STANDARD ASS. TM TOUCH NN		
0022	726278NN	BILL READER CLOSING PLATE NN FAST/R		
0023	310652	USB CABLE (OTG) TYPE A F / MICRO USB B M		
0024	310708CO	TABLET 7P. HANNSPREE MID721+SW		

Pos.	Code	Description	Suggested	Price
0025	627932	REAR METAL PLATE TABLET 7 HANNSP. MID721		
0026	082938	TABLET INTERFACE ELECTRONIC BOARD		
0027	826922	COINS RETURN BUTTON ASSEMBLY RAL7004 TG		
0028	826494	COIN CHUTE		
0029	310666	CABLE FROM EL.B.082938 TO MAIN 082670(TM		
0030	310694	MAIN PROG. CABLE R32 DA 082938		
0031	310692	POWER SUPPLY CABLE EL. B.082938 FASTER T		
0032	310532	USB CABLE TYPE A M/M L=80CM BLACK		
0033	827118	COINS INSERT ASSEMBLY TM MSP TOUCH ARM.		
0034	726666NN	COINS INSERT ARMORED ASS. TM TOUCH NN		
0035	627776	ARMORED COINS SHUTE SUPPORT FASTER TM		
0036	726299	ARMORED COINS LOADER ASSEMBLY	✓	
0037	726452	ARMORED INSERT COINS SHUTE FASTER UP		
0038	700354	COINS RETURN PUSH-BUTTON		
0039	211040	COIN RECOVER BUTTON SPRING		
0040	205001	RING RS 6 UNI7434		
0041	726263	BOX DOOR SUPPORT		
0042	827133	DOOR BOX FASTER TM ASSEMBLY		
0043	210320	BLOCK LOCK WITH CAM		
0044	220937	PHOTOCELLS REFLECTOR LABEL		
0045	621491	DOOR LED SUPPORT		
0046	401539	PAYMENT SYSTEMS BOX BODY FASTER MSP		
0047	624567	COUPLER BOX LOCK		
0048	15100041A	MAGNETIC BLACK CLOSING		
0049	300989	FLAT RESISTOR 15W 24V PHOTOCELL		

Pos.	Code	Description	Suggested	Price
0050	082782	BOARD WITH LED ASSEMBLY	✓	
0051	310383	LED BAR CONNECTION LOOM		
0052	210289	PLASTIC RIVET RICHCO SR-3045-B RMS-52		
0053	310384	BOND FOR LED BOARDS		
0054	621492	DOOR LED COVER		

981960T-ACCESSORI_CASSETTO - ACCESORIOS BANDEJA

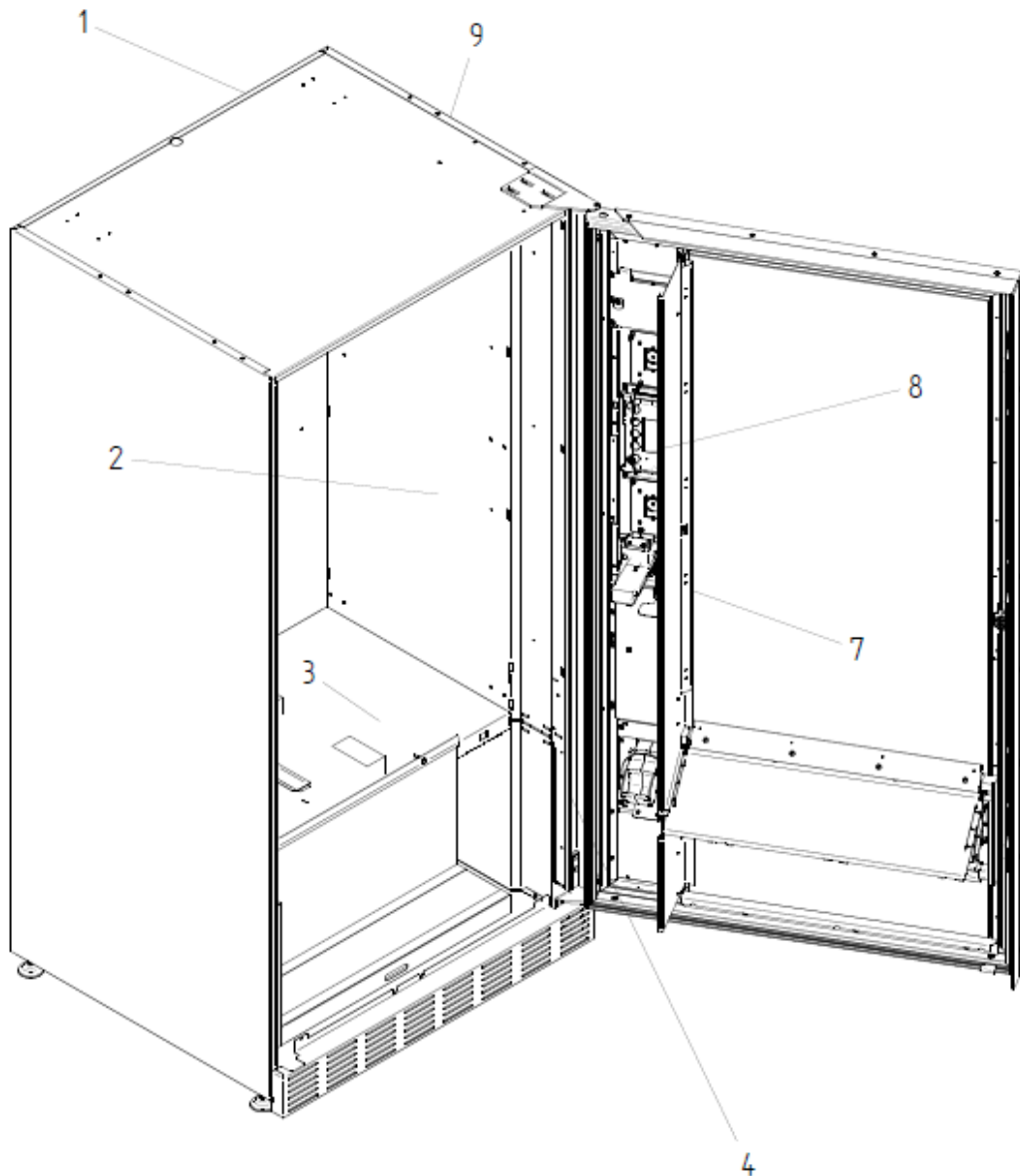


PARTS LIST

Pos.	Code	Description	Suggested	Price
0001	830420	MOTOR GROUP/BLUE HOOK	✓	
0002	211268	SPIRAL GALV. P=100 Ø=78 4 PR. LEFT		
0002	211286	SPIRAL GALV. P=35 Ø=78 12 PR. LEFT		
0002	211291	SPIRAL GALV. P=78 Ø=78 5 PR. LEFT		
0002	211290	SPIRAL GALV. P=55 Ø=78 7 PR. LEFT		
0002	211273	SPIRAL GALV. P=45 Ø=78 9 PR. LEFT		
0003	400800	BLACK SPIRAL EJECTOR		
0005	211271	SPIRAL GALV. P=80 Ø=70 5 BOT. LEFT		
0005	211272	SPIRAL GALV. P=64 Ø=66 7 PR. LEFT		
0005	211270	SPIRAL GALV. P=88 Ø=78 5 SANDW. LEFT		
0005	211269	SPIRAL GALV. P=75 Ø=70 6 BOT. LEFT		
0006	631459	BAYONET SYSTEM PRODUCT SUPPORT		
0007	830291	MOTOR GROUP FOR DOUBLE SPIRAL	✓	
0008, 0008	211009	SPRING FOR SPIRAL POSITION		
0009, 0002	211276	SPIRAL GALV. P=26 Ø=66 16 PR. LEFT		
0009, 0002	211274	SPIRAL GALV. P=20 Ø=66 21 PR. LEFT		
0009, 0002	211281	SPIRAL GALV. P=80 Ø=70 5 PR. LEFT		
0009, 0002	211277	SPIRAL GALV. P=36 Ø=66 11 PR. LEFT		
0009, 0002	211275	SPIRAL GALV. P=42 Ø=66 9 PR. LEFT		
0009, 0002	211287	SPIRAL GALV. P=64 Ø=66 6 PR. LEFT		
0009, 0002	211289	SPIRAL GALV. P=54 Ø=66 7 PR. LEFT		
0009, 0002	211285	SPIRAL GALV. P=30 Ø=66 14 PR. LEFT		
0010	211278	SPIRAL GALV. P=64 Ø=66 6 PR. RIGHT		

Pos.	Code	Description	Suggested	Price
0010	211283	SPIRAL GALV. P=26 Ø=66 16 PR. RIGHT		
0010	211288	SPIRAL GALV. P=54 Ø=66 7 PR. RIGHT		
0010	211284	SPIRAL GALV. P=30 Ø=66 14 PR. RIGHT		
0010	211282	SPIRAL GALV. P=20 Ø=66 21 PR. RIGHT		
0010	211292	SPIRAL GALV. P=80 Ø=70 5 PR. RIGHT		
0010	211279	SPIRAL GALV. P=36 Ø=66 11 PR. RIGHT		
0010	211280	SPIRAL GALV. P=42 Ø=66 9 PR. RIGHT		
0011	400127	BLACK SPIRAL HOOK		
0012	400138	SPRING HOLDER COUPLER (SPIRAL RIGHT)		
0013	400625	HOOK FOR SPIRAL HOLDER BLUE		

981960T-ACCESSORI - ACCESORIOS



PARTS LIST

Pos.	Code	Description	Suggested	Price
0001	855394	WALL FIXING BRACKETS		
0002	855513	KIT PUSHER SHELF 900 EASY CLICK		
0002	855474	KIT SANDWICH/MILK TRAY 900		
0003	855459	KIT 1 x SHELF DISPLAY BAR 900		
0004	855550	KIT COINS BOX COVER		
0007	855498	KIT ILUMINADOR PUERTA POWER LED		
0008	855540	KIT SPECIAL COINS INSERT. TMT MSP BLACK		
0008	855451	KIT MECH. COUNTER WIN./FASTER/YOUNG TMT		
0008	855376	KIT RS232/RS485/DEX-UCS INTERFACE		
0008	855539	KIT SPECIAL COINS INSERT. TM MSP		
0008	855136	KIT EVA DTS IRDA		
0008	855436	KIT MASTER/SLAVE EXECUTIVE OMNIA		